

Specifications:

Flat bottom bypass feeder with standard victaulic closure and 1/4" air release valve. 3/4" FNPT inlet and outlet.

Materials of Construction:

Carbon steel, Cast Iron and Buna-N Seal

Capacity:	1.15	Gallons
Max. Temp.:	200	°F
Max. Press:	300	PSI
Weight:	16	LBS

12	X	X
11	X	X
10	X	X
9	X	X
8	X	X
7	X	X
6	X	X
5	X	X
4	X	X
3	X	X
2	X	X
1	X	X

#	Part	Description
---	------	-------------



Phone: 714-257-9165
 Fax: 714-257-9215
www.gtpcompany.com

Drwn By: JC	Related Items: X
Date: 12/1/10	
Scale: NTS	
Rev: A	

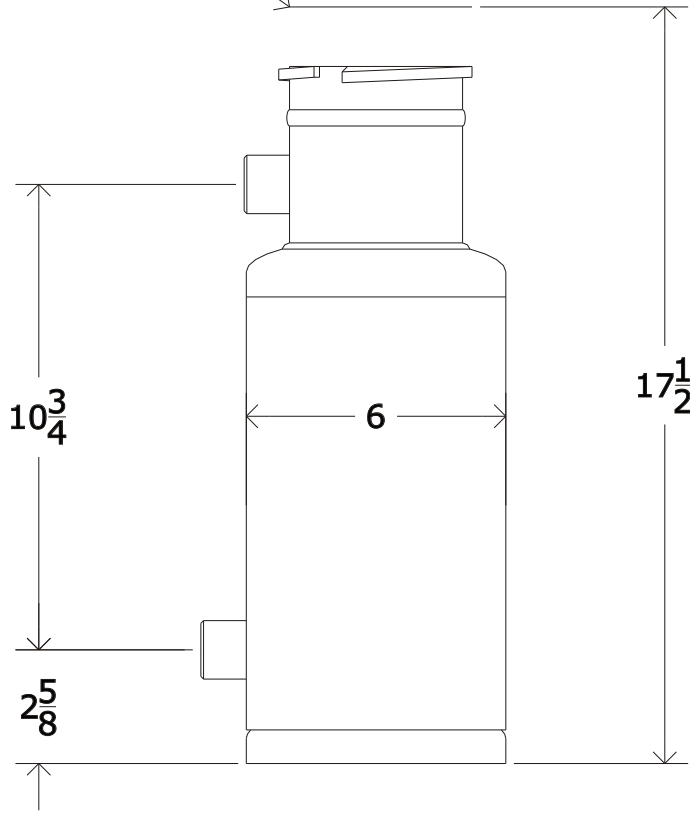
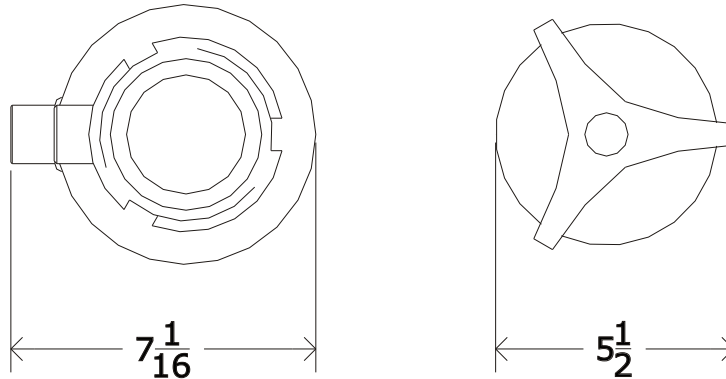
Rev.	Description	Date
D	X	X
C	X	X
B	X	X

Notes:
 1)

Notice
 This drawing and its content are for the specific use of GTP customers only. It is not to be duplicated or copied without expressed written content of General Treatment Products, Inc. We Reserve the right to modify this drawing with out notice.

Description:
 1 Gallon Flat Bottom Bypass Feeder
Model:
 FB 1

HEIGHT OF FEEDER WITH LID INSTALLED



Specifications:

Flat bottom bypass feeder with 1/4 turn quick closure. 3/4" FNPT inlet and outlet.

Materials of Construction:

Carbon steel, Cast Iron and Buna-N Seal

Capacity:	1.15	Gallons
Max. Temp.:	200	°F
Max. Press:	200	PSI
Weight:	17	LBS

12	X	X
11	X	X
10	X	X
9	X	X
8	X	X
7	X	X
6	X	X
5	X	X
4	X	X
3	X	X
2	X	X
1	X	X

#	Part	Description
---	------	-------------



Phone: 714-257-9165
 Fax: 714-257-9215
www.gtpcompany.com

Drwn By: JC	Related Items: X
Date: 12/1/10	
Scale: NTS	
Rev: A	

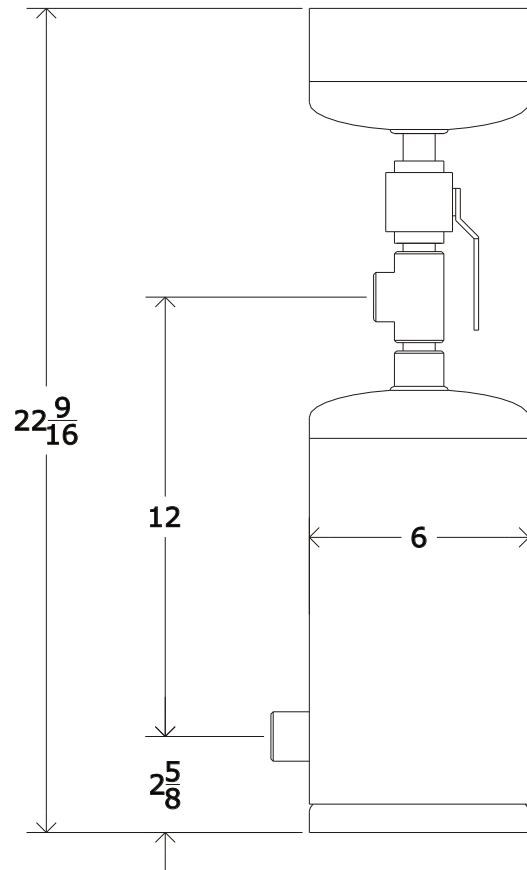
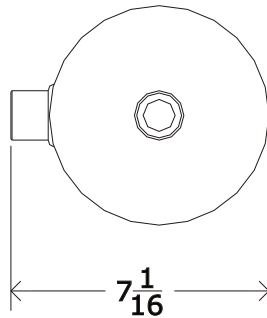
Rev.	Description	Date
D	X	X
C	X	X
B	X	X

Notes:
 1)

Notice
 This drawing and its content are for the specific use of GTP customers only. It is not to be duplicated or copied without expressed written content of General Treatment Products, Inc. We Reserve the right to modify this drawing with out notice.

Description:
 1 Gallon Flat Bottom Feeder w/Quick Closure

Model:
 FB 1/QC



Specifications:

Flat bottom bypass feeder with high pressure fill funnel, valve and installation nipples. 3/4" FNPT inlet and outlet.

Materials of Construction:

Carbon steel, Brass and Stainless Steel

Capacity:	1.15	Gallons
Max. Temp.:	200	°F
Max. Press:	300	PSI
Weight:	16	LBS

12	X	X
11	X	X
10	X	X
9	X	X
8	X	X
7	X	X
6	X	X
5	X	X
4	X	X
3	X	X
2	X	X
1	X	X

#	Part	Description
---	------	-------------



Phone: 714-257-9165
 Fax: 714-257-9215
www.gtpcompany.com

Drwn By:	JC
Date:	12/1/10
Scale:	NTS
Rev:	A

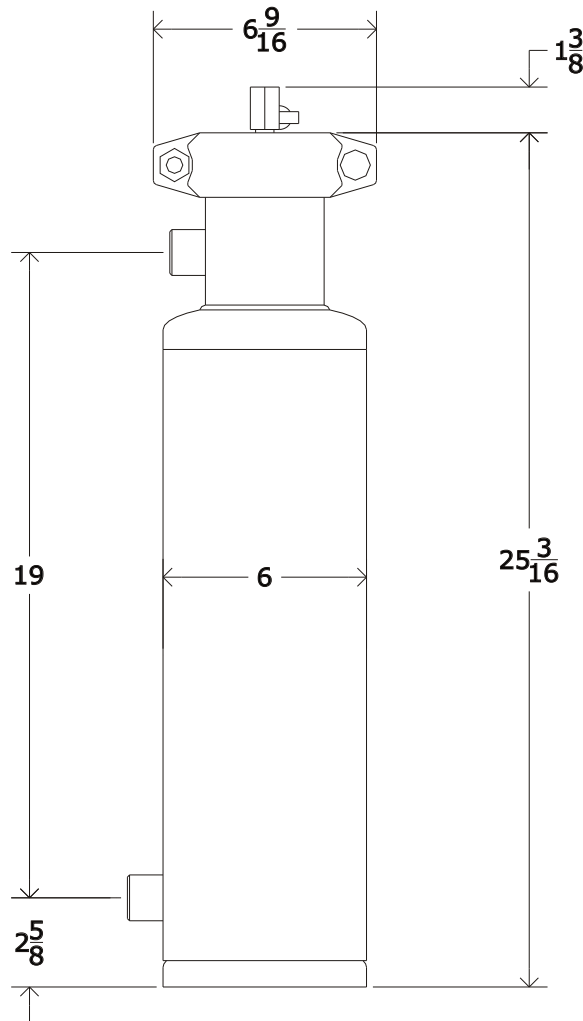
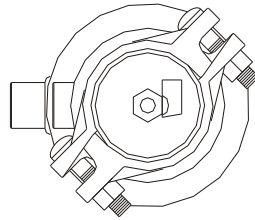
Related Items:	X
-----------------------	---

D	X	X
C	X	X
B	X	X
Rev.	Description	Date

Notes:
 1)

Notice
 This drawing and its content are for the specific use of GTP customers only. It is not to be duplicated or copied without expressed written content of General Treatment Products, Inc. We Reserve the right to modify this drawing with out notice.

Description:
 1 Gallon Flat Bottom High Pressure Feeder
Model:
 FB 1/HP



Specifications:
 Flat bottom bypass feeder with standard victaulic closure and 1/4" air release valve. 3/4" FNPT inlet and outlet.

Materials of Construction:
 Carbon steel, Cast Iron and Buna-N Seal

Capacity:	2.25	Gallons
Max. Temp.:	200	°F
Max. Press:	300	PSI
Weight:	18	LBS

12	X	X
11	X	X
10	X	X
9	X	X
8	X	X
7	X	X
6	X	X
5	X	X
4	X	X
3	X	X
2	X	X
1	X	X

#	Part	Description
---	------	-------------



Phone: 714-257-9165
 Fax: 714-257-9215
www.gtpcompany.com

Drwn By: JC	Related Items: X
Date: 12/1/10	
Scale: NTS	
Rev: A	

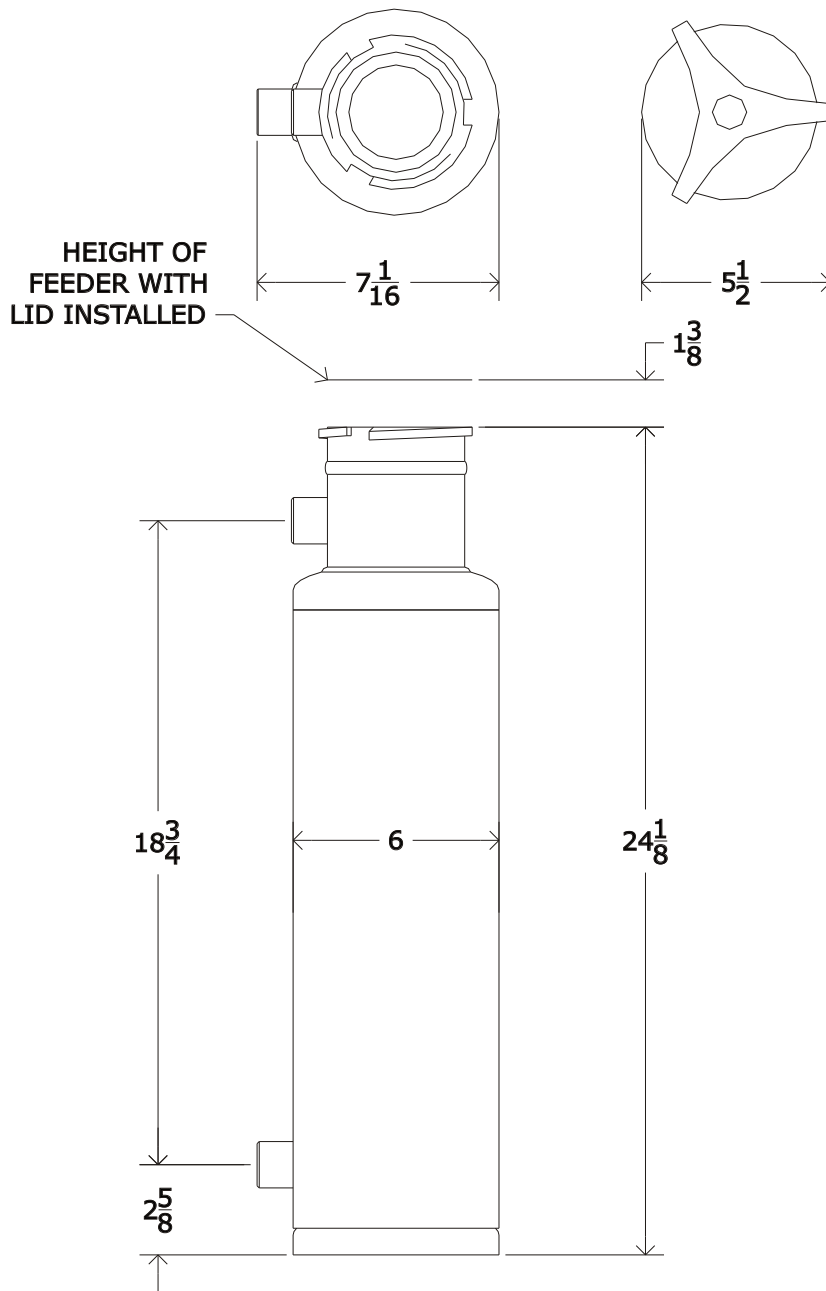
Rev.	Description	Date
D	X	X
C	X	X
B	X	X

Notes:
 1)

Notice
 This drawing and its content are for the specific use of GTP customers only. It is not to be duplicated or copied without expressed written content of General Treatment Products, Inc. We Reserve the right to modify this drawing with out notice.

Description:
 2 Gallon Flat Bottom Bypass Feeder

Model:
 FB 2



Specifications:
 Flat bottom bypass feeder with 1/4 turn quick closure. 3/4" FNPT inlet and outlet.

Materials of Construction:
 Carbon steel, Cast Iron and Buna-N Seal

Capacity:	2.25	Gallons
Max. Temp.:	200	°F
Max. Press:	200	PSI
Weight:	19	LBS

12	X	X
11	X	X
10	X	X
9	X	X
8	X	X
7	X	X
6	X	X
5	X	X
4	X	X
3	X	X
2	X	X
1	X	X

#	Part	Description
---	------	-------------


Phone: 714-257-9165
Fax: 714-257-9215
www.gtpcompany.com
 General Treatment Products, Inc.

Drwn By:	JC
Date:	12/1/10
Scale:	NTS
Rev:	A

Related Items:	X
-----------------------	---

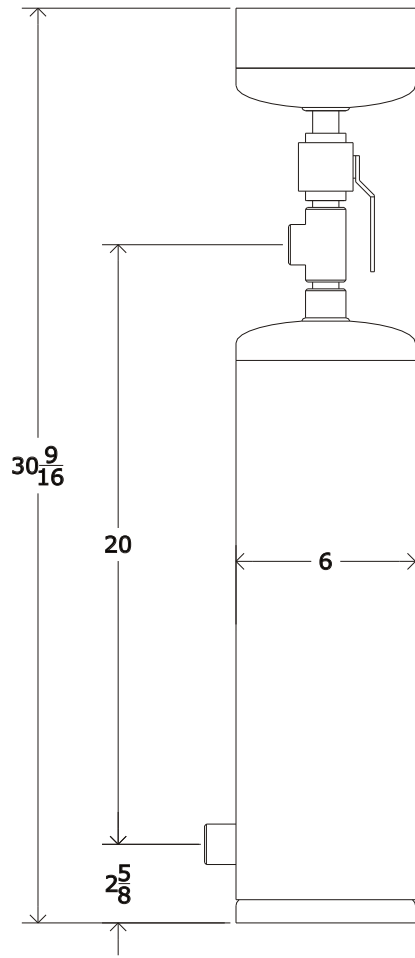
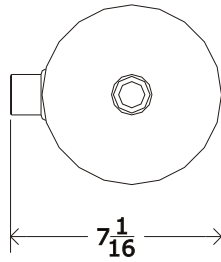
Rev.	Description	Date
D	X	X
C	X	X
B	X	X

Notes:
 1)

Notice
 This drawing and its content are for the specific use of GTP customers only. It is not to be duplicated or copied without expressed written content of General Treatment Products, Inc. We Reserve the right to modify this drawing with out notice.

Description:
 2 Gallon Flat Bottom Feeder w/Quick Closure

Model:
 FB 2/QC



Specifications:

Flat bottom bypass feeder with high pressure fill funnel, valve and installation nipples. 3/4" FNPT inlet and outlet.

Materials of Construction:

Carbon steel, Brass and Stainless Steel

Capacity:	2.25	Gallons
Max. Temp.:	200	°F
Max. Press:	300	PSI
Weight:	18	LBS

12	X	X
11	X	X
10	X	X
9	X	X
8	X	X
7	X	X
6	X	X
5	X	X
4	X	X
3	X	X
2	X	X
1	X	X

#	Part	Description
---	------	-------------



Phone: 714-257-9165
 Fax: 714-257-9215
www.gtpcompany.com

Drwn By:	JC
Date:	12/1/10
Scale:	NTS
Rev:	A

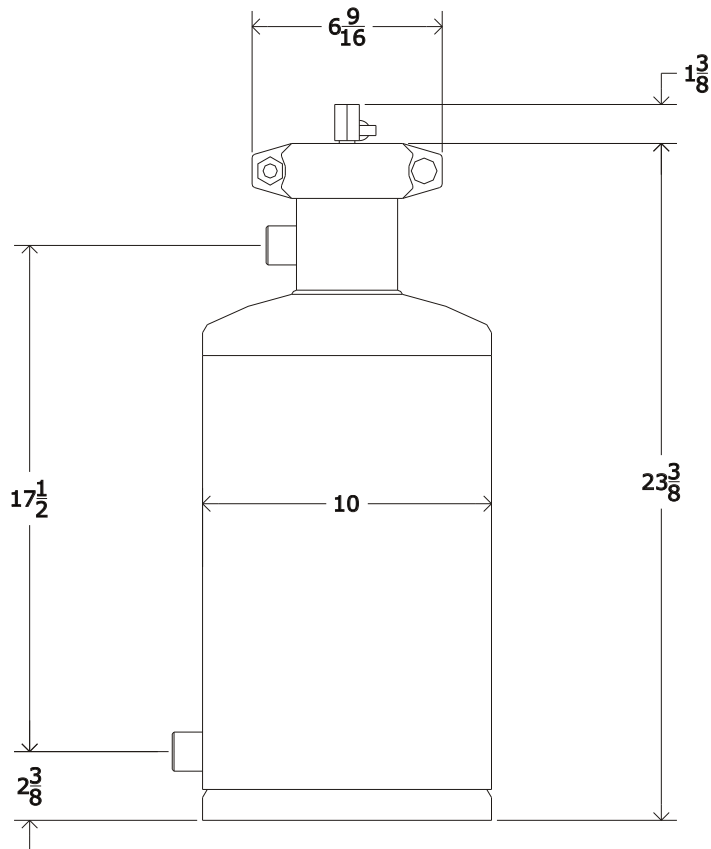
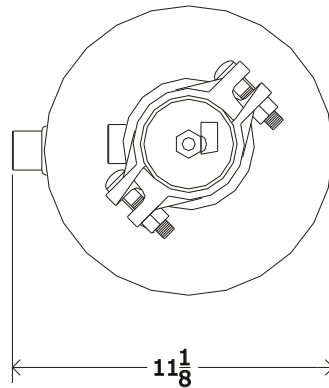
Related Items:	X
-----------------------	---

Rev.	Description	Date
D	X	X
C	X	X
B	X	X

Notes:
 1)

Notice
 This drawing and its content are for the specific use of GTP customers only. It is not to be duplicated or copied without expressed written content of General Treatment Products, Inc. We Reserve the right to modify this drawing with out notice.

Description:
 2 Gallon Flat Bottom High Pressure Feeder
Model:
 FB 2/HP



Specifications:

Flat bottom bypass feeder with standard victaulic closure and 1/4" air release valve. 3/4" FNPT inlet and outlet.

Materials of Construction:

Carbon steel, Cast Iron and Buna-N Seal

Capacity:	5.25	Gallons
Max. Temp.:	200	°F
Max. Press:	300	PSI
Weight:	32	LBS

12	X	X
11	X	X
10	X	X
9	X	X
8	X	X
7	X	X
6	X	X
5	X	X
4	X	X
3	X	X
2	X	X
1	X	X

#	Part	Description
---	------	-------------



Phone: 714-257-9165
 Fax: 714-257-9215
www.gtpcompany.com

Drwn By:	JC
Date:	12/1/10
Scale:	NTS
Rev:	A

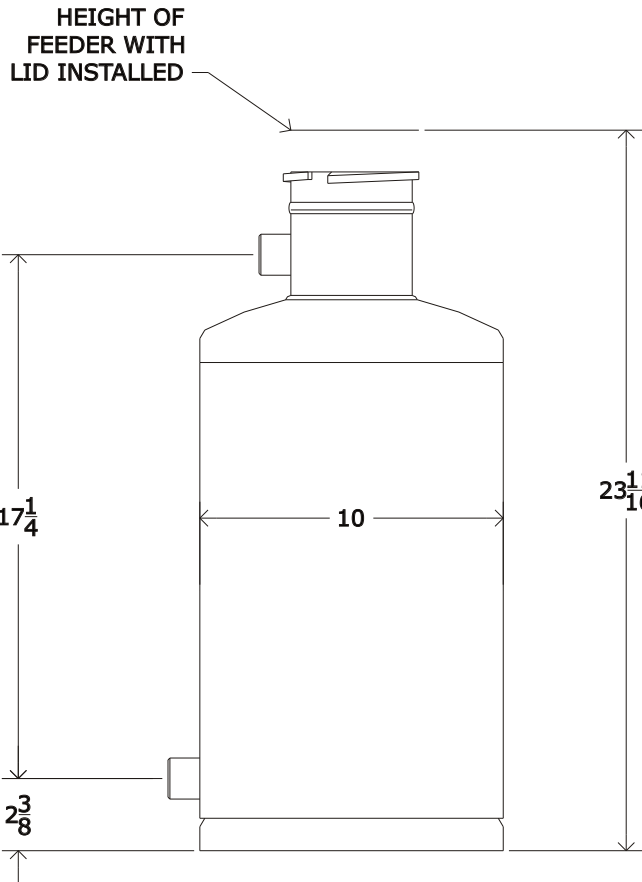
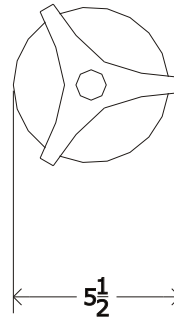
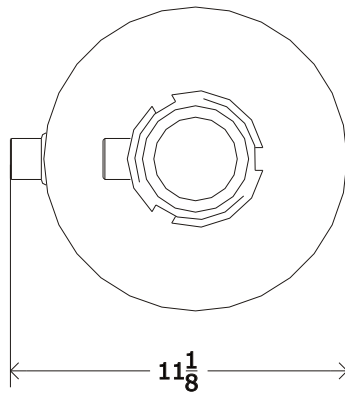
Related Items:	X
-----------------------	---

D	X	X
C	X	X
B	X	X
Rev.	Description	Date

Notes:
 1)

Notice
 This drawing and its content are for the specific use of GTP customers only. It is not to be duplicated or copied without expressed written content of General Treatment Products, Inc. We Reserve the right to modify this drawing with out notice.

Description:
 5 Gallon Flat Bottom Bypass Feeder
Model:
 FB 5



Specifications:
Flat bottom bypass feeder with 1/4 turn quick closure. 3/4" FNPT inlet and outlet.

Materials of Construction:
Carbon steel, Cast Iron and Buna-N Seal

Capacity:	5.25	Gallons
Max. Temp.:	200	°F
Max. Press:	200	PSI
Weight:	33	LBS

12	X	X
11	X	X
10	X	X
9	X	X
8	X	X
7	X	X
6	X	X
5	X	X
4	X	X
3	X	X
2	X	X
1	X	X

#	Part	Description
---	------	-------------



Phone: 714-257-9165
Fax: 714-257-9215
www.gtpcompany.com

Drwn By:	JC
Date:	12/1/10
Scale:	NTS
Rev:	A

Related Items:	X
-----------------------	---

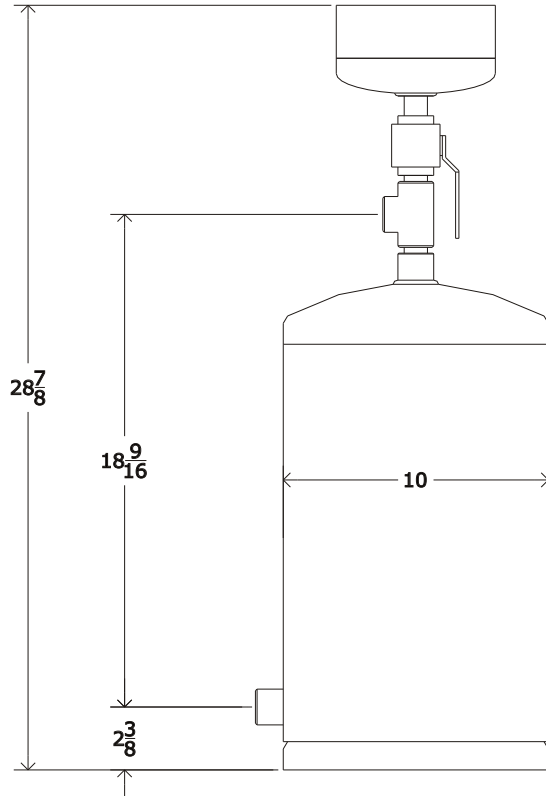
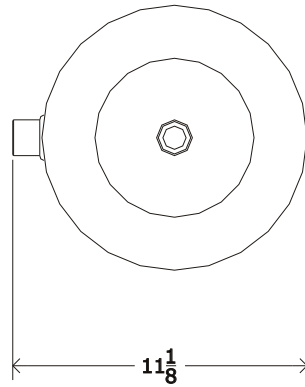
D	X	X
C	X	X
B	X	X
Rev.	Description	Date

Notes:
1)

Notice
This drawing and its content are for the specific use of GTP customers only. It is not to be duplicated or copied without expressed written content of General Treatment Products, Inc. We Reserve the right to modify this drawing with out notice.

Description:
5 Gallon Flat Bottom Feeder w/Quick Closure

Model:
FB 5/QC



Specifications:

Flat bottom bypass feeder with high pressure fill funnel, valve and installation nipples. 3/4" FNPT inlet and outlet.

Materials of Construction:

Carbon steel, Brass and Stainless Steel

Capacity:	5.25	Gallons
Max. Temp.:	200	°F
Max. Press:	300	PSI
Weight:	32	LBS

12	X	X
11	X	X
10	X	X
9	X	X
8	X	X
7	X	X
6	X	X
5	X	X
4	X	X
3	X	X
2	X	X
1	X	X

#	Part	Description
---	------	-------------



Phone: 714-257-9165
 Fax: 714-257-9215
www.gtpcompany.com

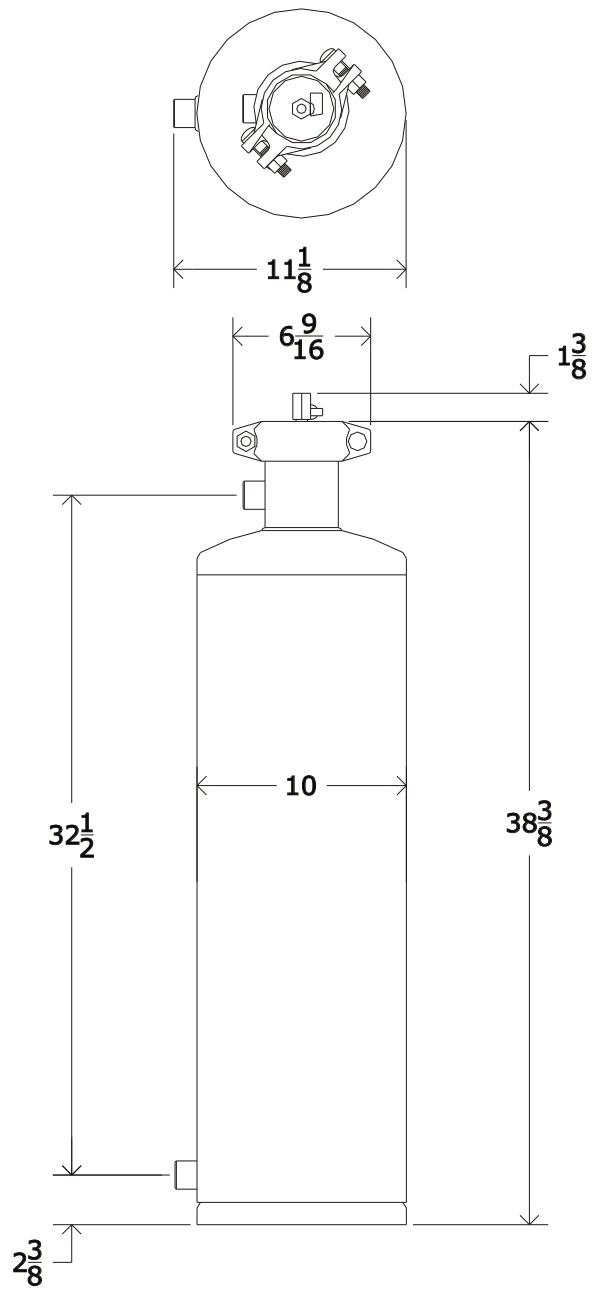
Drwn By: JC	Related Items: X
Date: 12/1/10	
Scale: NTS	
Rev: A	

D	X	X
C	X	X
B	X	X
Rev.	Description	Date

Notes:
 1)

Notice
 This drawing and its content are for the specific use of GTP customers only. It is not to be duplicated or copied without expressed written content of General Treatment Products, Inc. We Reserve the right to modify this drawing with out notice.

Description:
 5 Gallon Flat Bottom High Pressure Feeder
Model:
 FB 5/HP



Specifications:
 Flat bottom bypass feeder with standard victaulic closure and 1/4" air release valve. 3/4" FNPT inlet and outlet.

Materials of Construction:
 Carbon steel, Cast Iron and Buna-N Seal

Capacity:	10.30	Gallons
Max. Temp.:	200	°F
Max. Press:	300	PSI
Weight:	49	LBS

12	X	X
11	X	X
10	X	X
9	X	X
8	X	X
7	X	X
6	X	X
5	X	X
4	X	X
3	X	X
2	X	X
1	X	X

#	Part	Description
---	------	-------------



Phone: 714-257-9165
 Fax: 714-257-9215
www.gtpcompany.com

Drwn By:	JC
Date:	12/1/10
Scale:	NTS
Rev:	A

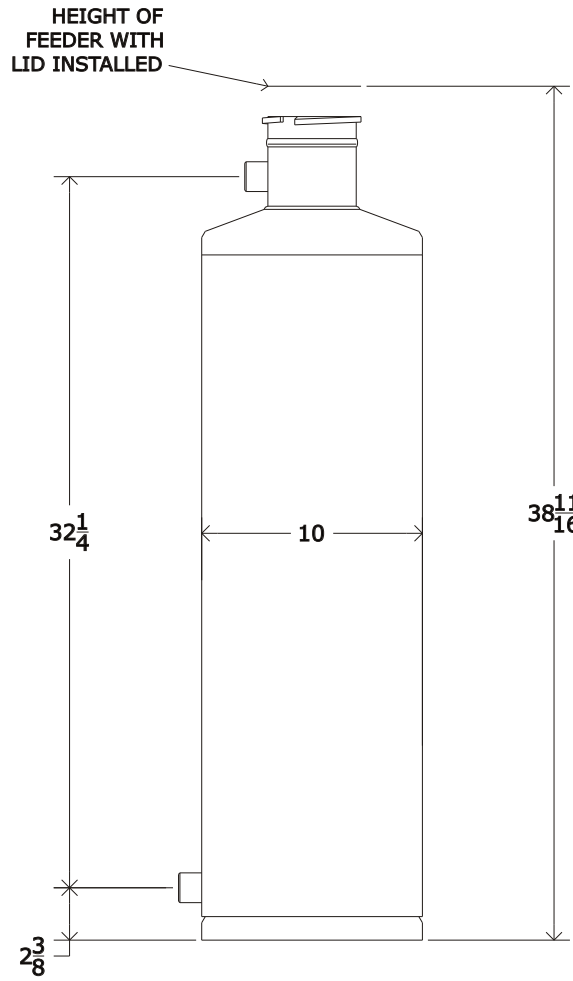
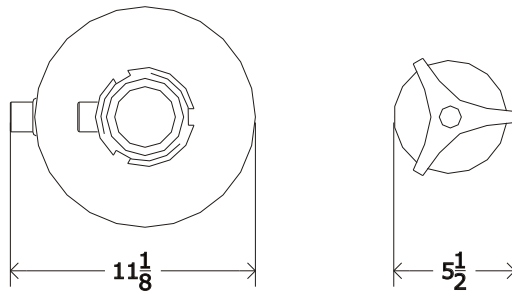
Related Items:	X
-----------------------	---

Rev.	Description	Date
D	X	X
C	X	X
B	X	X

Notes:
 1)

Notice
 This drawing and its content are for the specific use of GTP customers only. It is not to be duplicated or copied without expressed written content of General Treatment Products, Inc. We Reserve the right to modify this drawing with out notice.

Description:
 10 Gallon Flat Bottom Bypass Feeder
Model:
 FB 10



Specifications:
 Flat bottom bypass feeder with 1/4 turn quick closure. 3/4" FNPT inlet and outlet.

Materials of Construction:
 Carbon steel, Cast Iron and Buna-N Seal

Capacity:	10.30	Gallons
Max. Temp.:	200	°F
Max. Press:	200	PSI
Weight:	50	LBS

12	X	X
11	X	X
10	X	X
9	X	X
8	X	X
7	X	X
6	X	X
5	X	X
4	X	X
3	X	X
2	X	X
1	X	X

#	Part	Description
---	------	-------------



Phone: 714-257-9165
 Fax: 714-257-9215
www.gtpcompany.com

Drwn By: JC	Related Items: X
Date: 12/1/10	
Scale: NTS	
Rev: A	

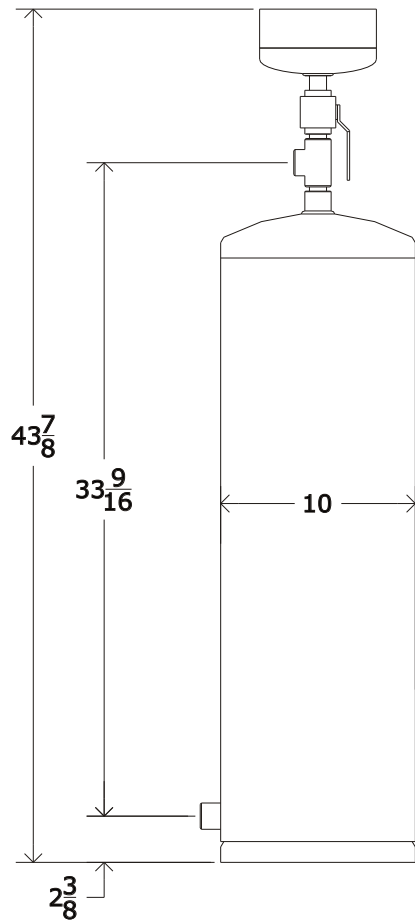
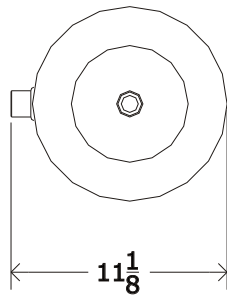
Rev.	Description	Date
D	X	X
C	X	X
B	X	X

Notes:
 1)

Notice
 This drawing and its content are for the specific use of GTP customers only. It is not to be duplicated or copied without expressed written content of General Treatment Products, Inc. We Reserve the right to modify this drawing with out notice.

Description:
 10 Gallon Flat Bottom Feeder w/Quick Closure

Model:
 FB 10/QC



Specifications:

Flat bottom bypass feeder with high pressure fill funnel, valve and installation nipples. 3/4" FNPT inlet and outlet.

Materials of Construction:

Carbon steel, Brass and Stainless Steel

Capacity:	10.30	Gallons
Max. Temp.:	200	°F
Max. Press:	300	PSI
Weight:	49	LBS

12	X	X
11	X	X
10	X	X
9	X	X
8	X	X
7	X	X
6	X	X
5	X	X
4	X	X
3	X	X
2	X	X
1	X	X

#	Part	Description
---	------	-------------



Phone: 714-257-9165
 Fax: 714-257-9215
www.gtpcompany.com

Drwn By:	JC
Date:	12/1/10
Scale:	NTS
Rev:	A

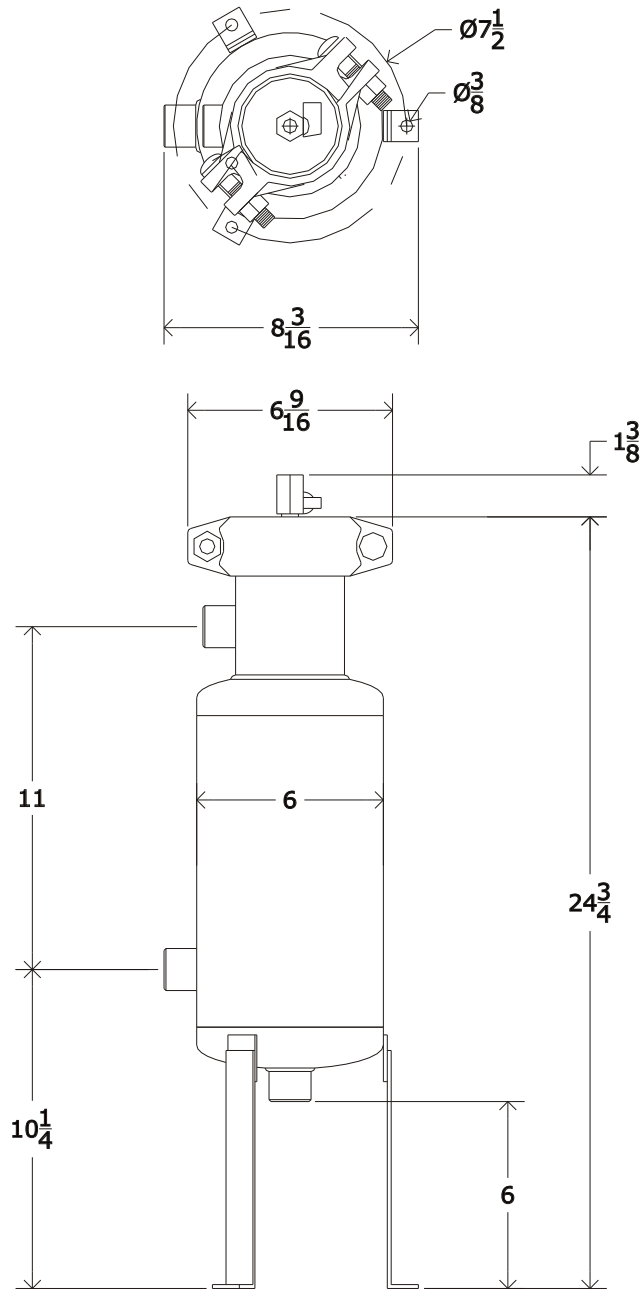
Related Items:	X
-----------------------	---

D	X	X
C	X	X
B	X	X
Rev.	Description	Date

Notes:
 1)

Notice
 This drawing and its content are for the specific use of GTP customers only. It is not to be duplicated or copied without expressed written content of General Treatment Products, Inc. We Reserve the right to modify this drawing with out notice.

Description:
 10 Gallon Flat Bottom High Pressure Feeder
Model:
 FB 10/HP



Specifications:

Dome bottom bypass feeder with standard victaulic closure and 1/4" air release valve. 3/4" FNPT inlet, outlet and drain.

Materials of Construction:

Carbon steel, Cast Iron and Buna-N Seal

Capacity: 1.30 Gallons

Max. Temp.: 200 °F

Max. Press: 300 PSI

Weight: 17 LBS

12	X	X
11	X	X
10	X	X
9	X	X
8	X	X
7	X	X
6	X	X
5	X	X
4	X	X
3	X	X
2	X	X
1	X	X

#	Part	Description
---	------	-------------



Phone: 714-257-9165
 Fax: 714-257-9215
www.gtpcompany.com

Drwn By: JC
Date: 12/1/10
Scale: NTS
Rev: A

Related Items:
 X

Rev.	Description	Date
D	X	X
C	X	X
B	X	X

Notes:

1)

Notice

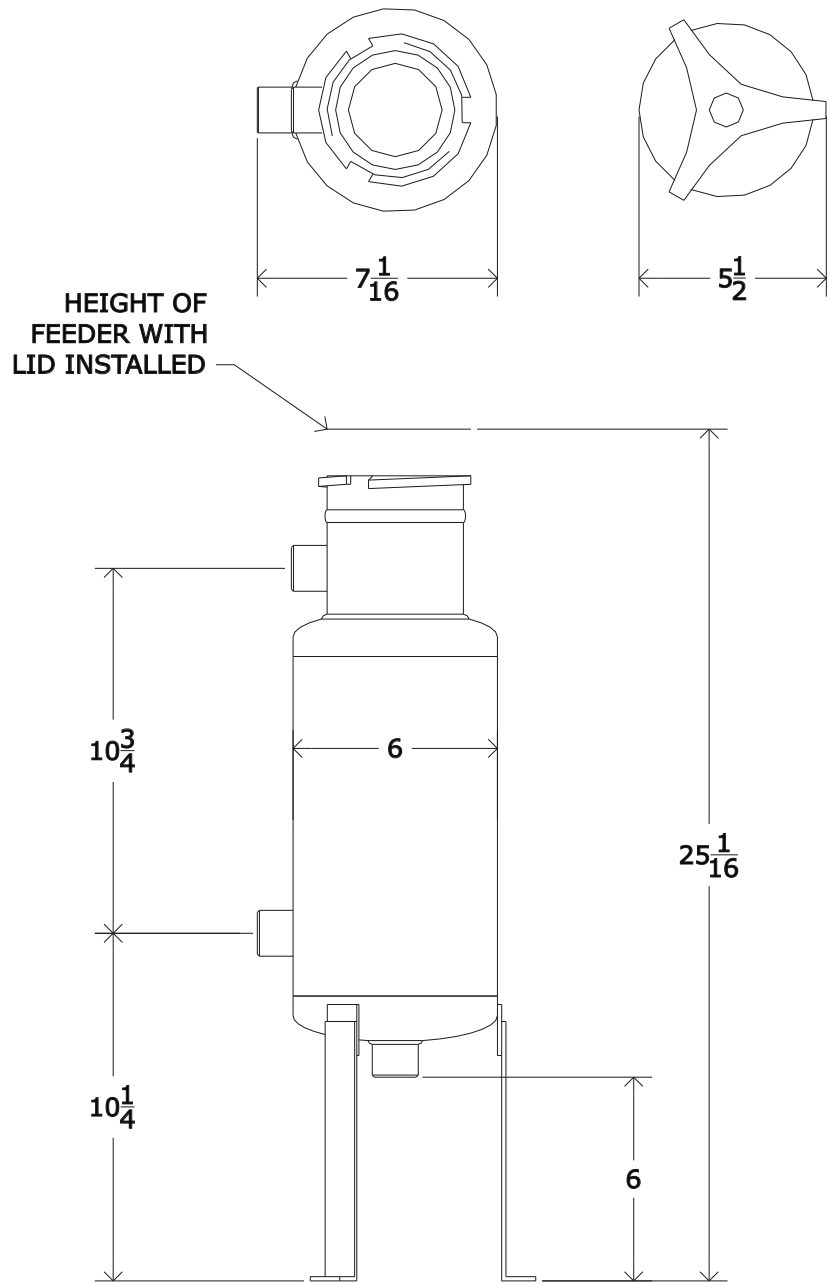
This drawing and its content are for the specific use of GTP customers only. It is not to be duplicated or copied without expressed written content of General Treatment Products, Inc. We Reserve the right to modify this drawing with out notice.

Description:

1 Gallon Dome Bottom Bypass Feeder

Model:

DB 1



Specifications:
 Dome bottom bypass feeder with 1/4 turn quick closure. 3/4" FNPT inlet, outlet and drain.

Materials of Construction:
 Carbon steel, Cast Iron and Buna-N Seal

Capacity:	1.30	Gallons
Max. Temp.:	200	°F
Max. Press:	200	PSI
Weight:	18	LBS

12	X	X
11	X	X
10	X	X
9	X	X
8	X	X
7	X	X
6	X	X
5	X	X
4	X	X
3	X	X
2	X	X
1	X	X

#	Part	Description
---	------	-------------



Phone: 714-257-9165
 Fax: 714-257-9215
www.gtpcompany.com

Drwn By: JC
Date: 12/1/10
Scale: NTS
Rev: A

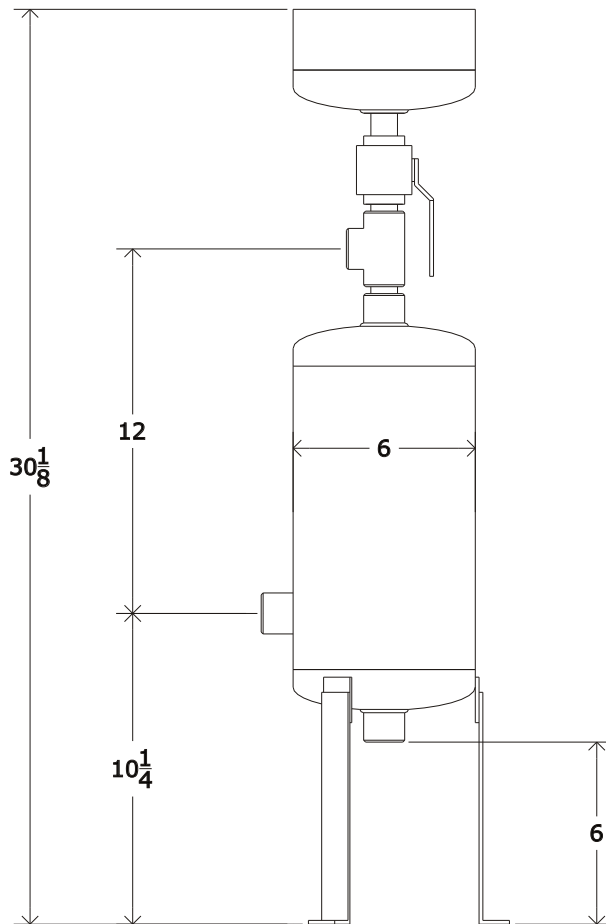
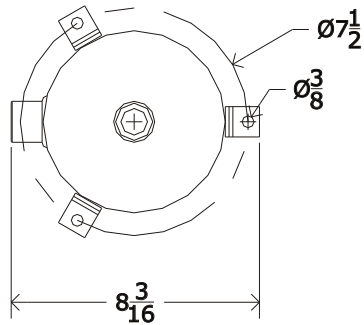
Related Items:
 X

Rev.	Description	Date
D	X	X
C	X	X
B	X	X

Notes:
 1)

Notice
 This drawing and its content are for the specific use of GTP customers only. It is not to be duplicated or copied without expressed written content of General Treatment Products, Inc. We Reserve the right to modify this drawing with out notice.

Description:
 1 Gallon Dome Bottom Feeder w/Quick Closure
Model:
 DB 1/QC



Specifications:
 Dome bottom bypass feeder with high pressure fill funnel, valve and installation nipples.
 3/4" FNPT inlet, outlet and drain.

Materials of Construction:
 Carbon steel, Brass and Stainless Steel

Capacity:	1.30	Gallons
Max. Temp.:	200	°F
Max. Press:	300	PSI
Weight:	17	LBS

12	X	X
11	X	X
10	X	X
9	X	X
8	X	X
7	X	X
6	X	X
5	X	X
4	X	X
3	X	X
2	X	X
1	X	X

#	Part	Description
---	------	-------------



Phone: 714-257-9165
 Fax: 714-257-9215
www.gtpcompany.com

Drwn By: JC
Date: 12/1/10
Scale: NTS
Rev: A

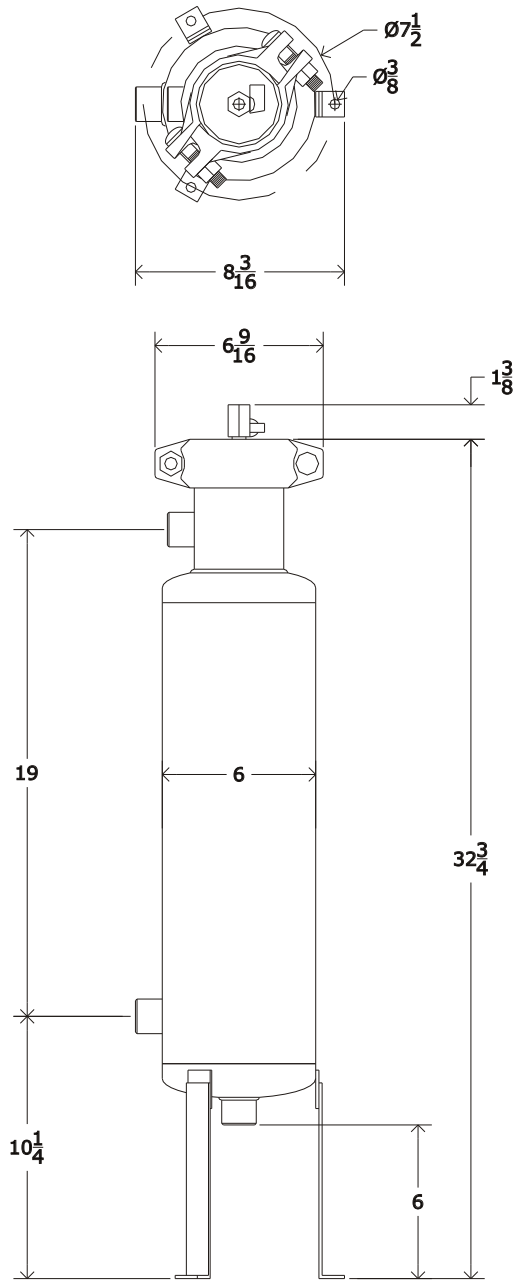
Related Items:
 X

Rev.	Description	Date
D	X	X
C	X	X
B	X	X

Notes:
 1)

Notice
 This drawing and its content are for the specific use of GTP customers only. It is not to be duplicated or copied without expressed written content of General Treatment Products, Inc. We Reserve the right to modify this drawing with out notice.

Description:
 1 Gallon Dome Bottom High Pressure Feeder
Model:
 DB 1/HP



Specifications:

Dome bottom bypass feeder with standard victaulic closure and 1/4" air release valve. 3/4" FNPT inlet, outlet and drain.

Materials of Construction:

Carbon steel, Cast Iron and Buna-N Seal

Capacity:	2.40	Gallons
Max. Temp.:	200	°F
Max. Press:	300	PSI
Weight:	22	LBS

12	X	X
11	X	X
10	X	X
9	X	X
8	X	X
7	X	X
6	X	X
5	X	X
4	X	X
3	X	X
2	X	X
1	X	X

#	Part	Description
---	------	-------------



Phone: 714-257-9165
 Fax: 714-257-9215
www.gtpcompany.com

Drwn By:	JC
Date:	12/1/10
Scale:	NTS
Rev:	A

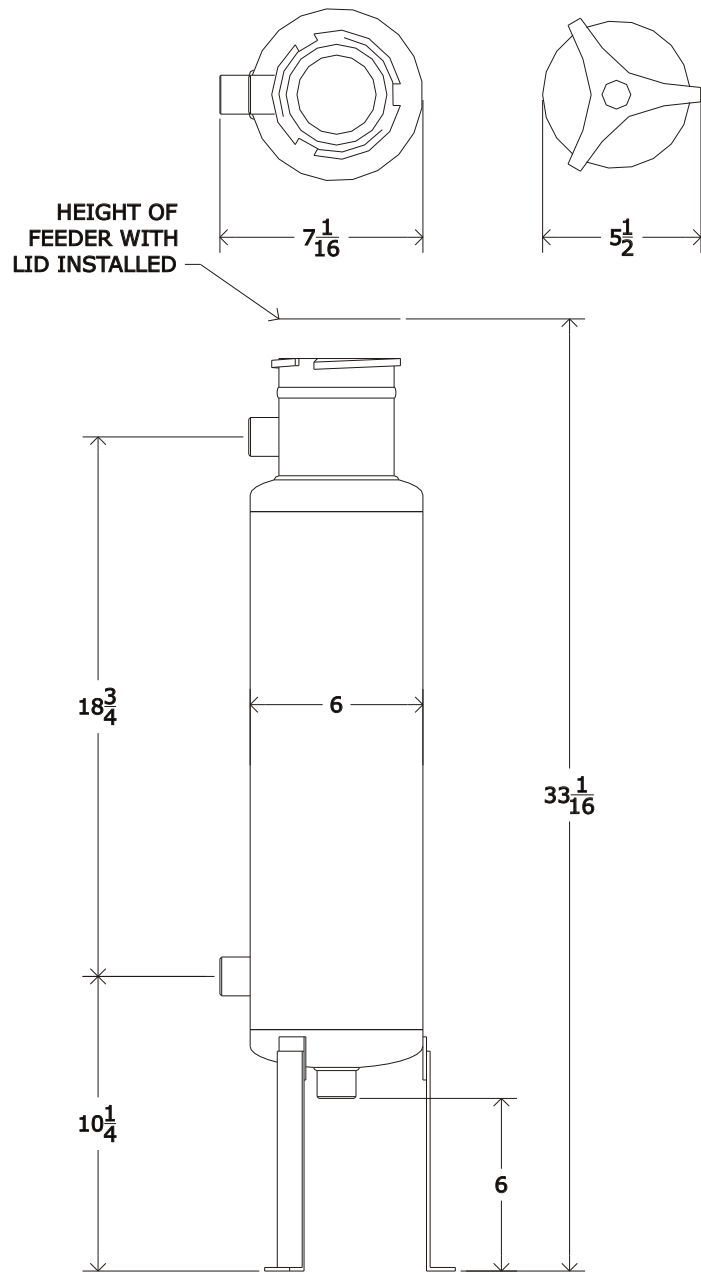
Related Items:	X
-----------------------	---

D	X	X
C	X	X
B	X	X
Rev.	Description	Date

Notes:
 1)

Notice
 This drawing and its content are for the specific use of GTP customers only. It is not to be duplicated or copied without expressed written content of General Treatment Products, Inc. We Reserve the right to modify this drawing with out notice.

Description:
 2 Gallon Dome Bottom Bypass Feeder
Model:
 DB 2



Specifications:
 Dome bottom bypass feeder with 1/4 turn quick closure. 3/4" FNPT inlet, outlet and drain.

Materials of Construction:
 Carbon steel, Cast Iron and Buna-N Seal

Capacity:	2.40	Gallons
Max. Temp.:	200	°F
Max. Press:	200	PSI
Weight:	23	LBS

12	X	X
11	X	X
10	X	X
9	X	X
8	X	X
7	X	X
6	X	X
5	X	X
4	X	X
3	X	X
2	X	X
1	X	X

#	Part	Description
---	------	-------------


Phone: 714-257-9165
Fax: 714-257-9215
www.gtpcompany.com
 General Treatment Products, Inc.

Drwn By: JC
Date: 12/1/10
Scale: NTS
Rev: A

Related Items:
X

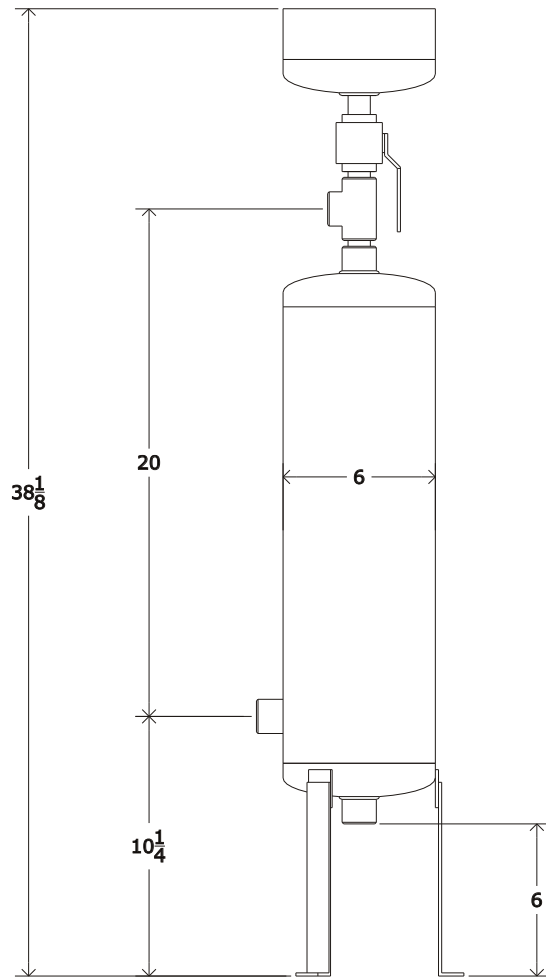
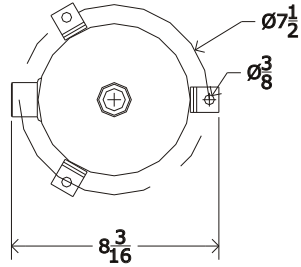
Rev.	Description	Date
D	X	X
C	X	X
B	X	X

Notes:
 1)

Notice
 This drawing and its content are for the specific use of GTP customers only. It is not to be duplicated or copied without expressed written content of General Treatment Products, Inc. We Reserve the right to modify this drawing with out notice.

Description:
 2 Gallon Dome Bottom Feeder w/Quick Closure

Model:
 DB 2/QC



Specifications:
 Dome bottom bypass feeder with high pressure fill funnel, valve and installation nipples.
 3/4" FNPT inlet, outlet and drain.

Materials of Construction:
 Carbon steel, Brass and Stainless Steel

Capacity:	2.40	Gallons
Max. Temp.:	200	°F
Max. Press:	300	PSI
Weight:	22	LBS

12	X	X
11	X	X
10	X	X
9	X	X
8	X	X
7	X	X
6	X	X
5	X	X
4	X	X
3	X	X
2	X	X
1	X	X

#	Part	Description
---	------	-------------



Phone: 714-257-9165
 Fax: 714-257-9215
www.gtpcompany.com

Drwn By: JC	Related Items: X
Date: 12/1/10	
Scale: NTS	
Rev: A	

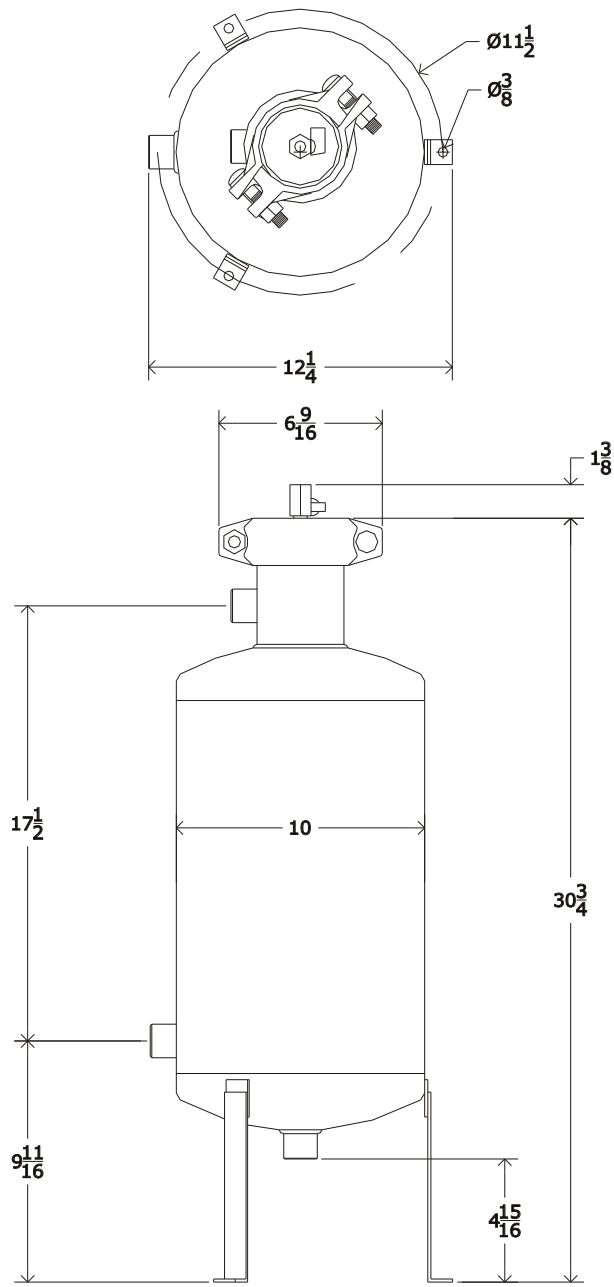
Rev.	Description	Date
D	X	X
C	X	X
B	X	X

Notes:
 1)

Notice
 This drawing and its content are for the specific use of GTP customers only. It is not to be duplicated or copied without expressed written content of General Treatment Products, Inc. We Reserve the right to modify this drawing with out notice.

Description:
 2 Gallon Dome Bottom High Pressure Feeder

Model:
 DB 2/HP



Specifications:
 Dome bottom bypass feeder with standard victaulic closure and 1/4" air release valve. 3/4" FNPT inlet, outlet and drain.

Materials of Construction:
 Carbon steel, Cast Iron and Buna-N Seal

Capacity:	5.40	Gallons
Max. Temp.:	200	°F
Max. Press:	300	PSI
Weight:	36	LBS

12	X	X
11	X	X
10	X	X
9	X	X
8	X	X
7	X	X
6	X	X
5	X	X
4	X	X
3	X	X
2	X	X
1	X	X

#	Part	Description
---	------	-------------


Phone: 714-257-9165
Fax: 714-257-9215
www.gtpcompany.com
 General Treatment Products, Inc.

Drwn By:	JC
Date:	12/1/10
Scale:	NTS
Rev:	A

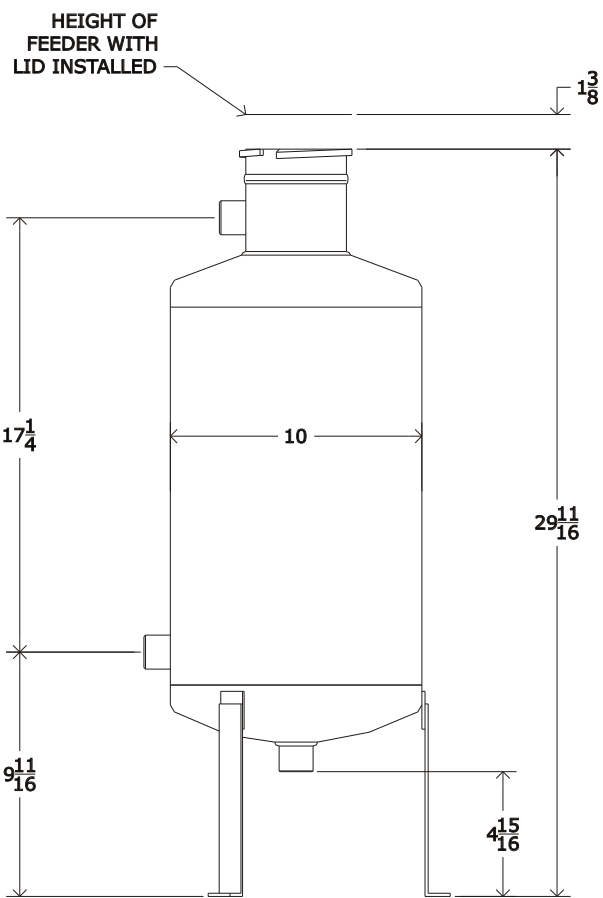
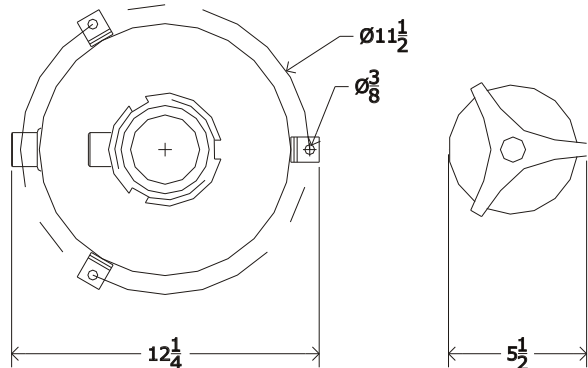
Related Items:
 X

Rev.	Description	Date
D	X	X
C	X	X
B	X	X

Notes:
 1)

Notice
 This drawing and its content are for the specific use of GTP customers only. It is not to be duplicated or copied without expressed written content of General Treatment Products, Inc. We Reserve the right to modify this drawing with out notice.

Description:
 5 Gallon Dome Bottom Bypass Feeder
Model:
 DB 5



Specifications:
 Dome bottom bypass feeder with 1/4 turn quick closure. 3/4" FNPT inlet, outlet and drain.

Materials of Construction:
 Carbon steel, Cast Iron and Buna-N Seal

Capacity:	5.40	Gallons
Max. Temp.:	200	°F
Max. Press:	200	PSI
Weight:	37	LBS

12	X	X
11	X	X
10	X	X
9	X	X
8	X	X
7	X	X
6	X	X
5	X	X
4	X	X
3	X	X
2	X	X
1	X	X

#	Part	Description
---	------	-------------



Phone: 714-257-9165
 Fax: 714-257-9215
www.gtpcompany.com

Drwn By:	JC
Date:	12/1/10
Scale:	NTS
Rev:	A

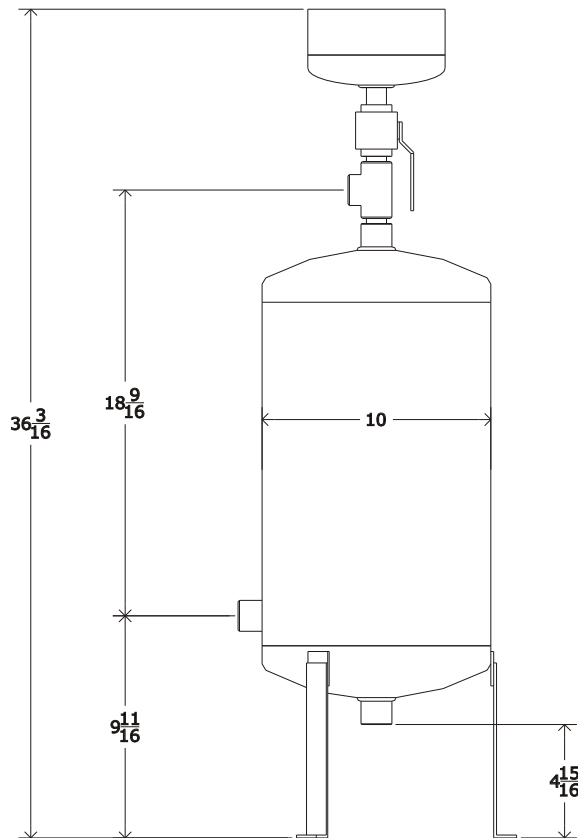
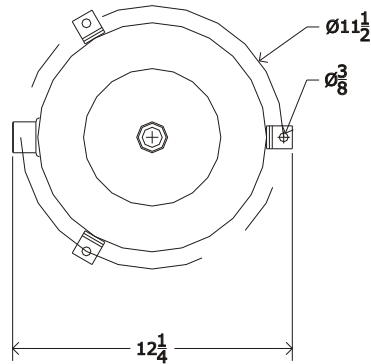
Related Items:	X
-----------------------	---

Rev.	Description	Date
D	X	X
C	X	X
B	X	X

Notes:
 1)

Notice
 This drawing and its content are for the specific use of GTP customers only. It is not to be duplicated or copied without expressed written content of General Treatment Products, Inc. We Reserve the right to modify this drawing with out notice.

Description:
 5 Gallon Dome Bottom Feeder w/Quick Closure
Model:
 DB 5/QC



Specifications:

Dome bottom bypass feeder with high pressure fill funnel, valve and installation nipples. 3/4" FNPT inlet, outlet and drain.

Materials of Construction:

Carbon steel, Brass and Stainless Steel

Capacity:	5.40	Gallons
Max. Temp.:	200	°F
Max. Press:	300	PSI
Weight:	36	LBS

12	X	X
11	X	X
10	X	X
9	X	X
8	X	X
7	X	X
6	X	X
5	X	X
4	X	X
3	X	X
2	X	X
1	X	X

#	Part	Description
---	------	-------------



Phone: 714-257-9165
 Fax: 714-257-9215
www.gtpcompany.com

Drwn By:	JC
Date:	12/1/10
Scale:	NTS
Rev:	A

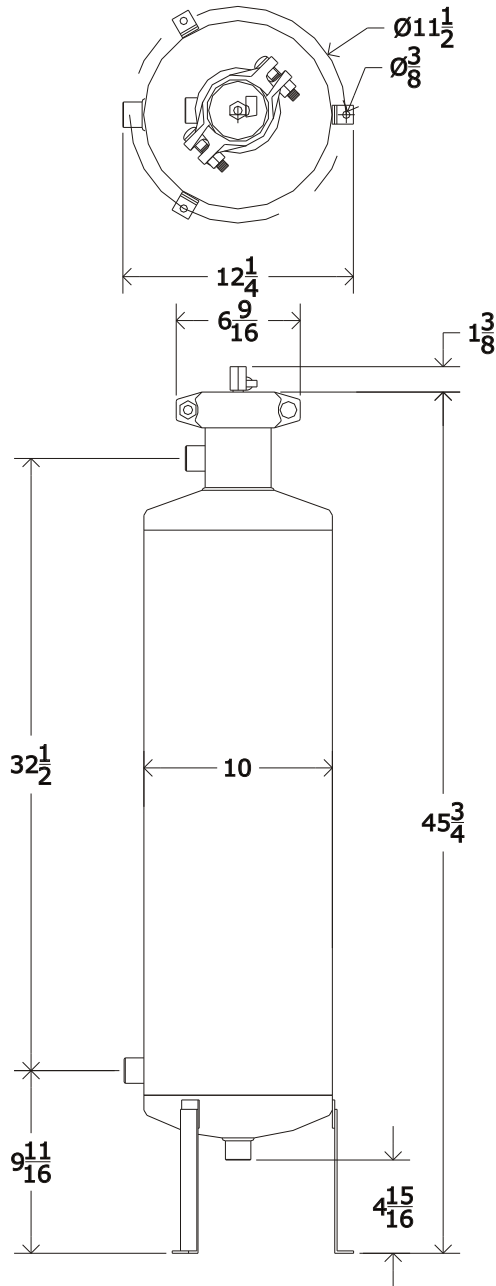
Related Items:	X
-----------------------	---

D	X	X
C	X	X
B	X	X
Rev.	Description	Date

Notes:
 1)

Notice
 This drawing and its content are for the specific use of GTP customers only. It is not to be duplicated or copied without expressed written content of General Treatment Products, Inc. We Reserve the right to modify this drawing with out notice.

Description:
 5 Gallon Dome Bottom High Pressure Feeder
Model:
 DB 5/HP



Specifications:

Dome bottom bypass feeder with standard victaulic closure and 1/4" air release valve. 3/4" FNPT inlet, outlet and drain.

Materials of Construction:

Carbon steel, Cast Iron and Buna-N Seal

Capacity:	10.45	Gallons
Max. Temp.:	200	°F
Max. Press:	300	PSI
Weight:	53	LBS

12	X	X
11	X	X
10	X	X
9	X	X
8	X	X
7	X	X
6	X	X
5	X	X
4	X	X
3	X	X
2	X	X
1	X	X

#	Part	Description
---	------	-------------



Phone: 714-257-9165
 Fax: 714-257-9215
www.gtpcompany.com

Drwn By:	JC
Date:	12/1/10
Scale:	NTS
Rev:	A

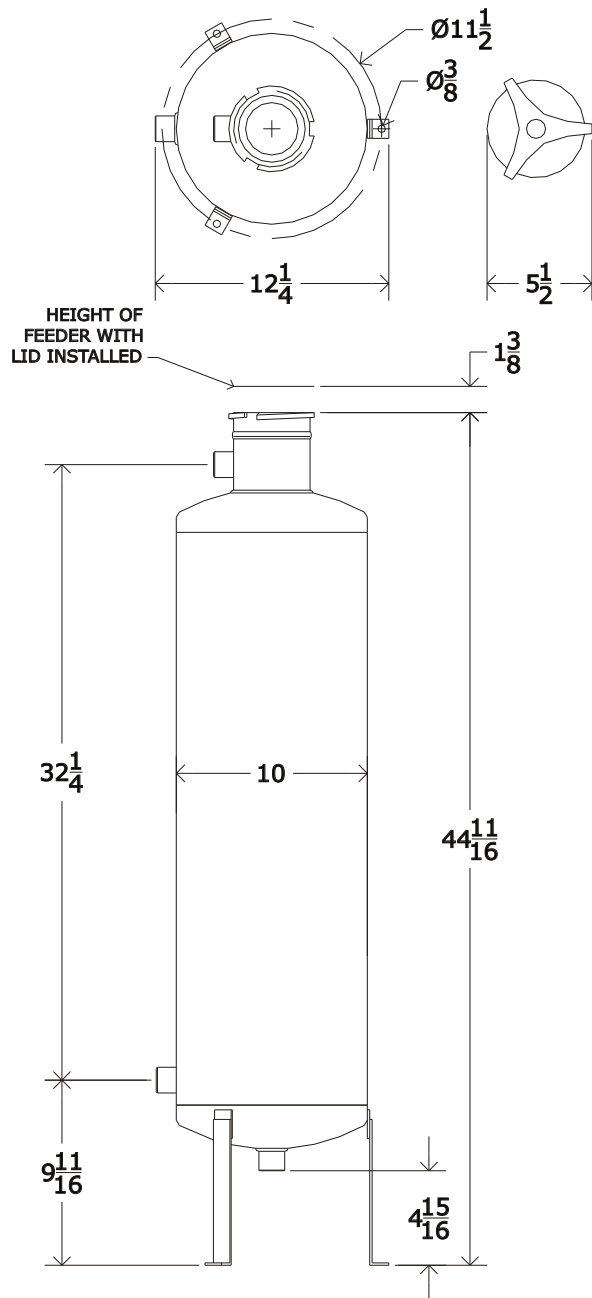
Related Items:	X
-----------------------	---

Rev.	Description	Date
D	X	X
C	X	X
B	X	X

Notes:
 1)

Notice
 This drawing and its content are for the specific use of GTP customers only. It is not to be duplicated or copied without expressed written content of General Treatment Products, Inc. We Reserve the right to modify this drawing with out notice.

Description:
 10 Gallon Dome Bottom Bypass Feeder
Model:
 DB 10



Specifications:
 Dome bottom bypass feeder with 1/4 turn quick closure. 3/4" FNPT inlet, outlet and drain.

Materials of Construction:
 Carbon steel, Cast Iron and Buna-N Seal

Capacity:	10.45	Gallons
Max. Temp.:	200	°F
Max. Press:	200	PSI
Weight:	54	LBS

12	X	X
11	X	X
10	X	X
9	X	X
8	X	X
7	X	X
6	X	X
5	X	X
4	X	X
3	X	X
2	X	X
1	X	X

#	Part	Description
---	------	-------------

Phone: 714-257-9165
 Fax: 714-257-9215
www.gtpcompany.com

Drwn By:	JC
Date:	12/1/10
Scale:	NTS
Rev:	A

Related Items:
 X

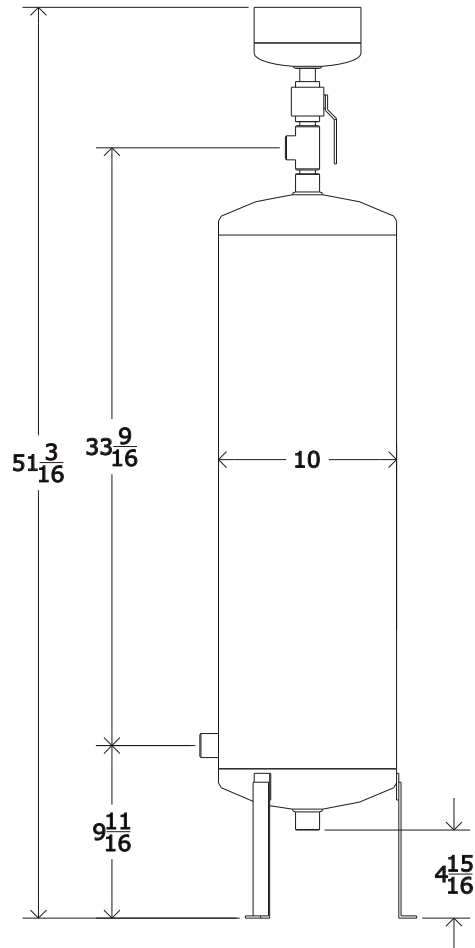
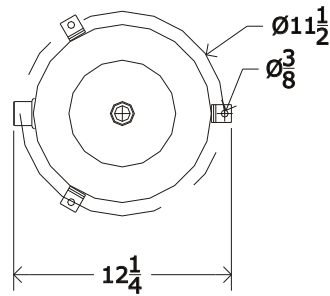
Rev.	Description	Date
D	X	X
C	X	X
B	X	X

Notes:
 1)

Notice
 This drawing and its content are for the specific use of GTP customers only. It is not to be duplicated or copied without expressed written content of General Treatment Products, Inc. We Reserve the right to modify this drawing with out notice.

Description:
 10 Gallon Dome Bottom Feeder w/Quick Closure

Model:
 DB 10/QC



Specifications:
 Dome bottom bypass feeder with high pressure fill funnel, valve and installation nipples.
 3/4" FNPT inlet, outlet and drain.

Materials of Construction:
 Carbon steel, Brass and Stainless Steel

Capacity:	10.45	Gallons
Max. Temp.:	200	°F
Max. Press:	300	PSI
Weight:	53	LBS

12	X	X
11	X	X
10	X	X
9	X	X
8	X	X
7	X	X
6	X	X
5	X	X
4	X	X
3	X	X
2	X	X
1	X	X

#	Part	Description
---	------	-------------

Phone: 714-257-9165
 Fax: 714-257-9215
www.gtpcompany.com

Drwn By: JC
Date: 12/1/10
Scale: NTS
Rev: A

Related Items:
 X

Rev.	Description	Date
D	X	X
C	X	X
B	X	X

Notes:
 1)

Notice
 This drawing and its content are for the specific use of GTP customers only. It is not to be duplicated or copied without expressed written content of General Treatment Products, Inc. We Reserve the right to modify this drawing with out notice.

Description:
 10 Gallon Dome Bottom High Pressure Feeder
Model:
 DB 10/HP