

Specifications:
 Glycol Feed Package designed to pump glycol upon system pressure drop with low level cut off.
 Comes complete with tank, pump, stand (frame), control panel, low level, flooded suction, strainer, check valve, pressure switch, pressure indicator, pressure relief and isolation valve.

Standard Settings:
 Pump Output: 1.3 **GPM**
 Pressure Cut-In: 20 **PSI**
 Pressure Cut-Out: 40 **PSI**
 Pressure Relief: 50 **PSI**

Materials of Construction:
 Brass, Carbon Steel, Polyethylene, PVC and Polypropylene

Voltage:	115 VAC	1 PHS	60 PHS
Max. Temp.:	85	°F	
Max. Press:	150	PSI	
Weight:	108	LBS	

12	X	X
11	X	X
10	X	X
9	X	X
8	X	X
7	X	X
6	X	X
5	X	X
4	X	X
3	X	X
2	X	X
1	X	X

#	Part	Description
---	------	-------------



Phone: 714-257-9165
 Fax: 714-257-9215
www.gtpcompany.com

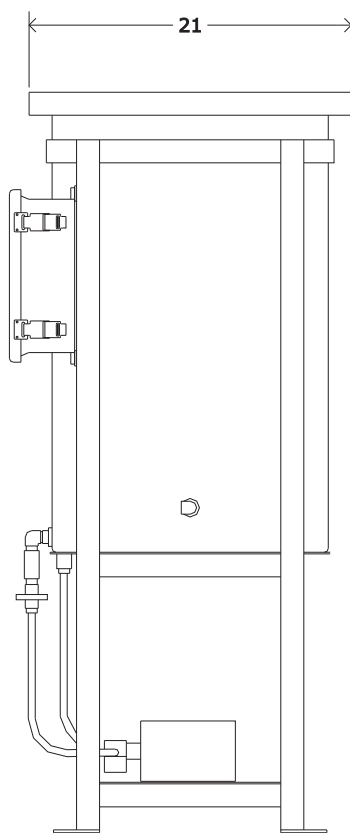
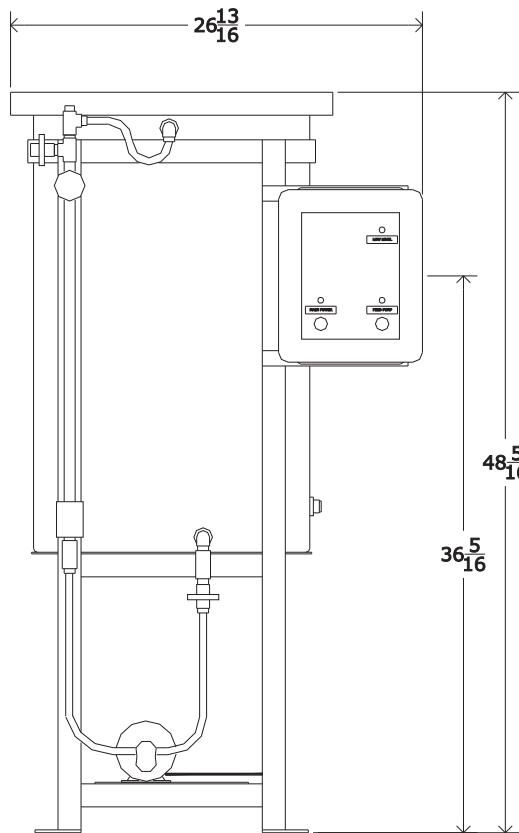
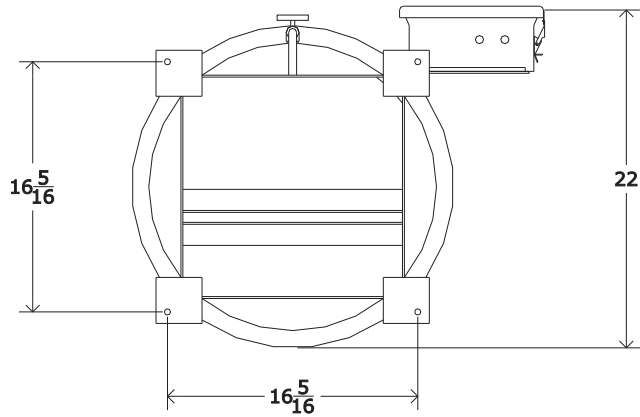
Drwn By: JC	Related Items: X
Date: 12/1/10	
Scale: NTS	
Rev: A	

D	X	X
C	X	X
B	X	X
Rev.	Description	Date

Notes:
 1)

Notice
 This drawing and its content are for the specific use of GTP customers only. It is not to be duplicated or copied without expressed written content of General Treatment Products, Inc. We Reserve the right to modify this drawing with out notice.

Description:
 15GL Glycol Feed Package
Model:
 GP15-E4-1



Specifications:

Glycol Feed Package designed to pump glycol upon system pressure drop with low level cut off.
Comes complete with tank, pump, stand (frame), control panel, low level, flooded suction, strainer, check valve, pressure switch, pressure indicator, pressure relief and isolation valve.

Standard Settings:

Pump Output: 1.3 **GPM**
Pressure Cut-In: 20 **PSI**
Pressure Cut-Out: 40 **PSI**
Pressure Relief: 50 **PSI**

Materials of Construction:

Brass, Carbon Steel, Polyethylene, PVC and Polypropylene

Voltage:	115 VAC	1 PHS	60 PHS
Max. Temp.:	85	°F	
Max. Press:	150	PSI	
Weight:	129	LBS	

12	X	X
11	X	X
10	X	X
9	X	X
8	X	X
7	X	X
6	X	X
5	X	X
4	X	X
3	X	X
2	X	X
1	X	X

#	Part	Description
---	------	-------------



Phone: 714-257-9165
Fax: 714-257-9215
www.gtpcompany.com

Drwn By: JC
Date: 12/1/10
Scale: NTS
Rev: A

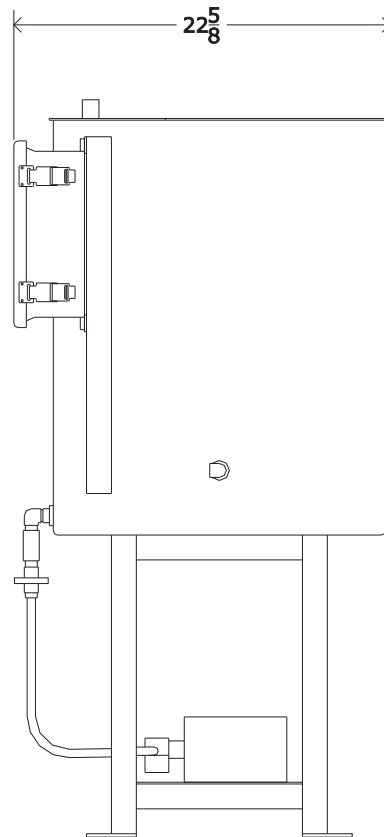
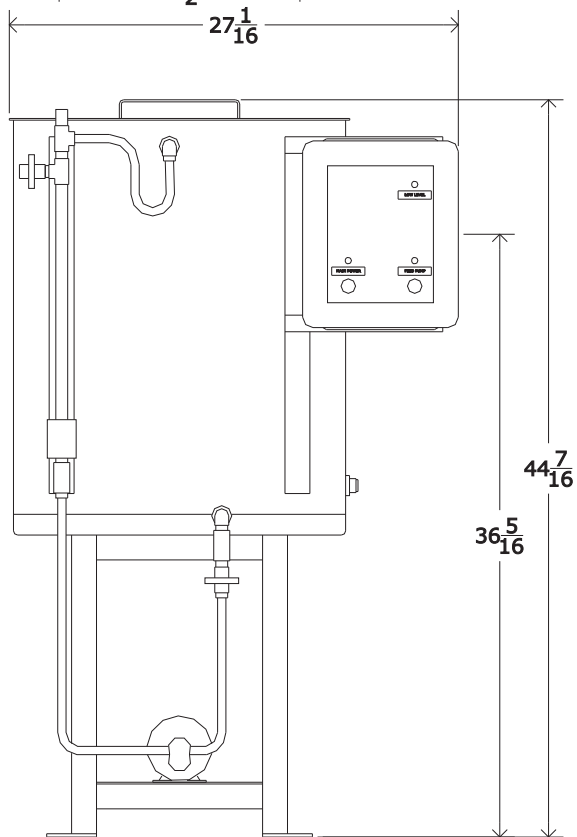
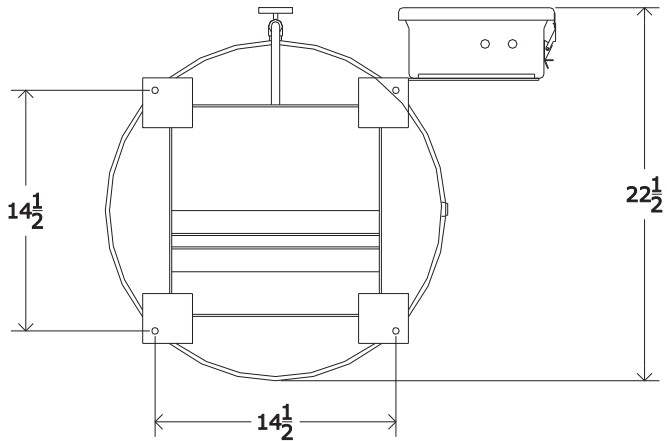
Related Items:
X

D	X	X
C	X	X
B	X	X
Rev.	Description	Date

Notes:
1)

Notice
This drawing and its content are for the specific use of GTP customers only. It is not to be duplicated or copied without expressed written content of General Treatment Products, Inc. We Reserve the right to modify this drawing with out notice.

Description:
30GL Glycol Feed Package
Model:
GP30-E4-1



Specifications:

Glycol Feed Package designed to pump glycol upon system pressure drop with low level cut off.
Comes complete with steel tank, pump, stand (frame), control panel, low level, flooded suction, strainer, check valve, pressure switch, pressure indicator, pressure relief and isolation valve.

Standard Settings:

Pump Output: 1.3 **GPM**
Pressure Cut-In: 20 **PSI**
Pressure Cut-Out: 40 **PSI**
Pressure Relief: 50 **PSI**

Materials of Construction:

Epoxy, Brass, Carbon Steel, Polyethylene, PVC and Polypropylene

Voltage: 115 VAC 1 PHS 60 PHS

Max. Temp.: 180 °F

Max. Press: 150 PSI

Weight: 234 LBS

12	X	X
11	X	X
10	X	X
9	X	X
8	X	X
7	X	X
6	X	X
5	X	X
4	X	X
3	X	X
2	X	X
1	X	X

#	Part	Description
---	------	-------------



Phone: 714-257-9165
Fax: 714-257-9215
www.gtpcompany.com

Drwn By: JC
Date: 12/1/10
Scale: NTS
Rev: A

Related Items:
X

D	X	X
C	X	X
B	X	X
Rev.	Description	Date

Notes:

1)

Notice

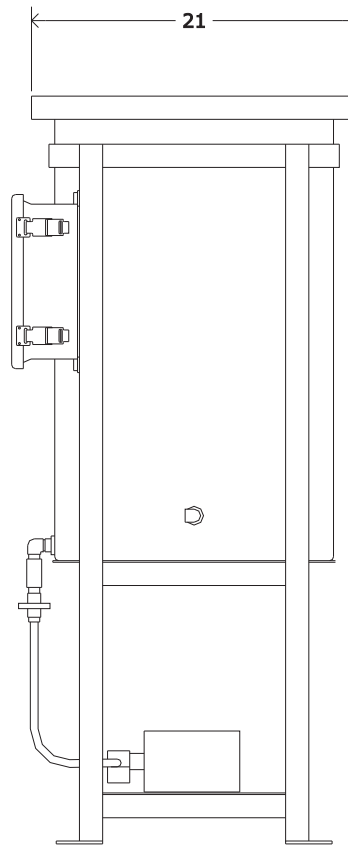
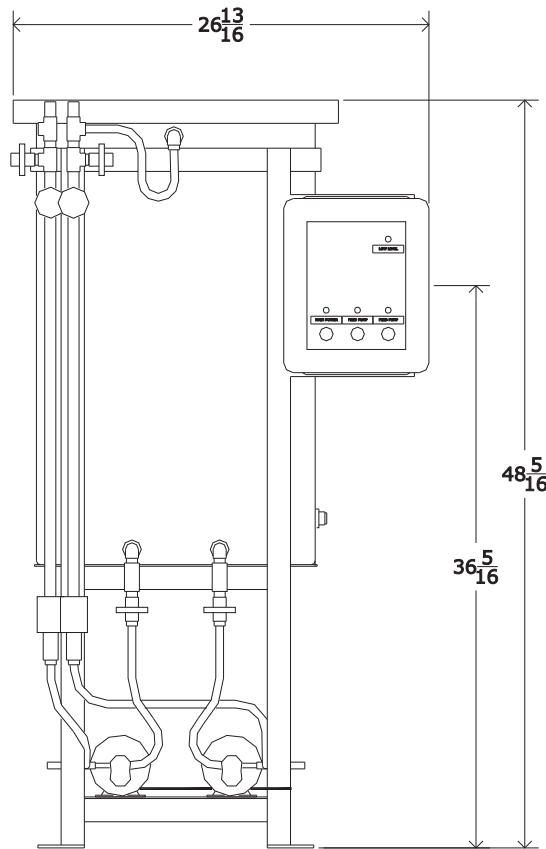
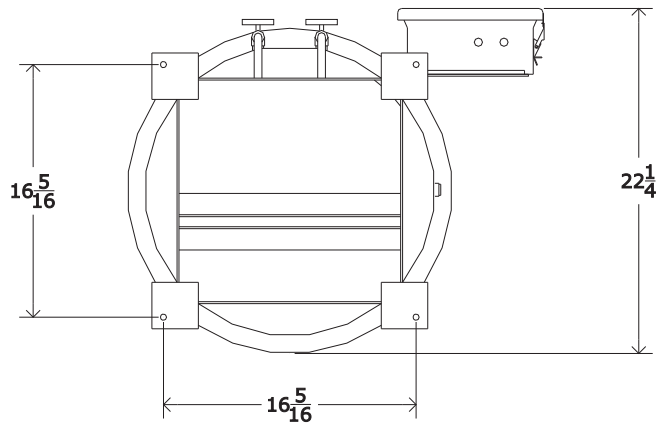
This drawing and its content are for the specific use of GTP customers only. It is not to be duplicated or copied without expressed written content of General Treatment Products, Inc. We Reserve the right to modify this drawing with out notice.

Description:

30GL High Temp Glycol Feed Package

Model:

GP30-H4-1



Specifications:

Glycol Feed Package designed to pump glycol upon system pressure drop with low level cut off.
Comes complete with tank, pump, stand (frame), control panel, low level, flooded suction, strainer, check valve, pressure switch, pressure indicator, pressure relief and isolation valve.

Standard Settings:

Pump Output: 1.3 **GPM**
Pressure Cut-In: 20 **PSI**
Pressure Cut-Out: 40 **PSI**
Pressure Relief: 50 **PSI**

Materials of Construction:

Brass, Carbon Steel, Polyethylene, PVC and Polypropylene

Voltage: 115 VAC 1 PHS 60 PHS

Max. Temp.: 85 °F

Max. Press: 150 PSI

Weight: 168 LBS

12	X	X
11	X	X
10	X	X
9	X	X
8	X	X
7	X	X
6	X	X
5	X	X
4	X	X
3	X	X
2	X	X
1	X	X

#	Part	Description
---	------	-------------



Phone: 714-257-9165
Fax: 714-257-9215
www.gtpcompany.com

Drwn By: JC
Date: 12/1/10
Scale: NTS
Rev: A

Related Items:
X

D	X	X
C	X	X
B	X	X
Rev.	Description	Date

Notes:

1)

Notice

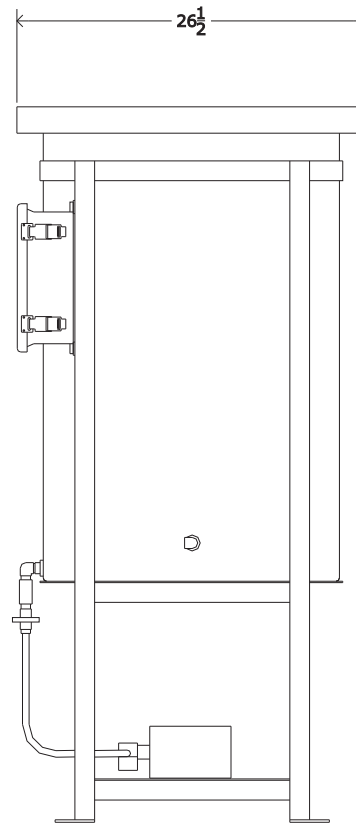
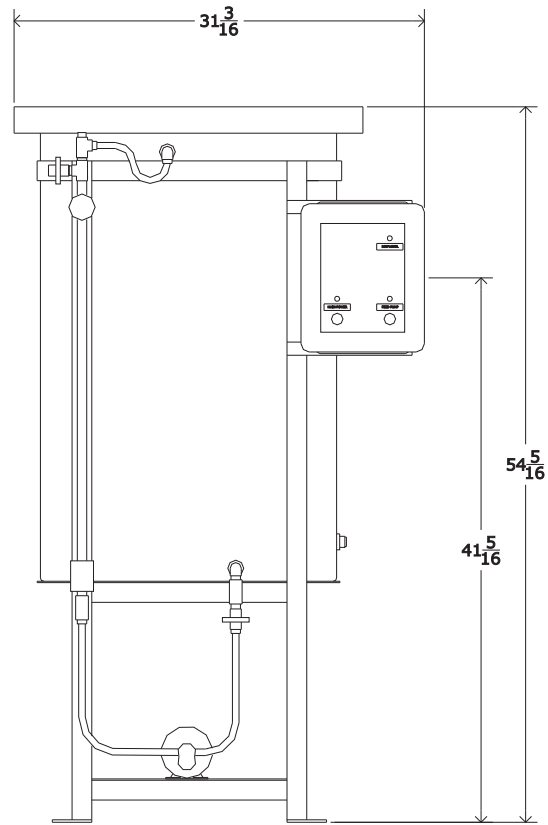
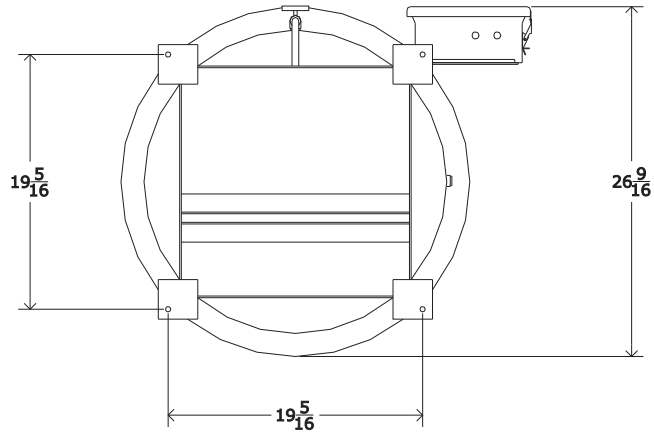
This drawing and its content are for the specific use of GTP customers only. It is not to be duplicated or copied without expressed written content of General Treatment Products, Inc. We Reserve the right to modify this drawing with out notice.

Description:

30GL Dual Glycol Feed Package

Model:

GP30-DE4-1



Specifications:

Glycol Feed Package designed to pump glycol upon system pressure drop with low level cut off.
Comes complete with tank, pump, stand (frame), control panel, low level, flooded suction, strainer, check valve, pressure switch, pressure indicator, pressure relief and isolation valve.

Standard Settings:

Pump Output: 1.3 **GPM**
Pressure Cut-In: 20 **PSI**
Pressure Cut-Out: 40 **PSI**
Pressure Relief: 50 **PSI**

Materials of Construction:

Brass, Carbon Steel, Polyethylene, PVC and Polypropylene

Voltage: 115 VAC 1 PHS 60 PHS

Max. Temp.: 85 °F

Max. Press: 150 PSI

Weight: 148 LBS

12	X	X
11	X	X
10	X	X
9	X	X
8	X	X
7	X	X
6	X	X
5	X	X
4	X	X
3	X	X
2	X	X
1	X	X

#	Part	Description
---	------	-------------



Phone: 714-257-9165
Fax: 714-257-9215
www.gtpcompany.com

Drwn By: JC
Date: 12/1/10
Scale: NTS
Rev: A

Related Items:
X

D	X	X
C	X	X
B	X	X
Rev.	Description	Date

Notes:

1)

Notice

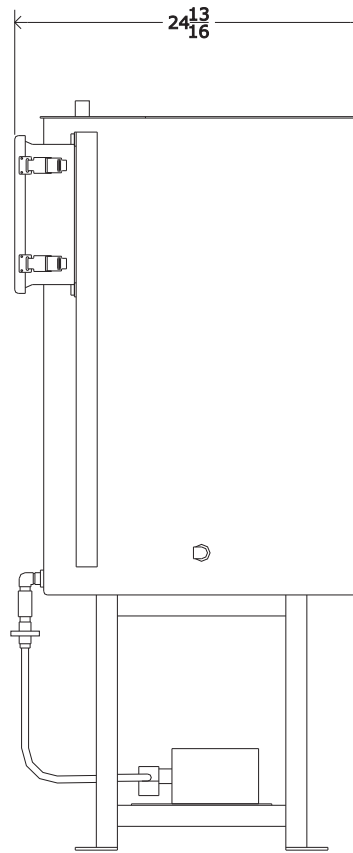
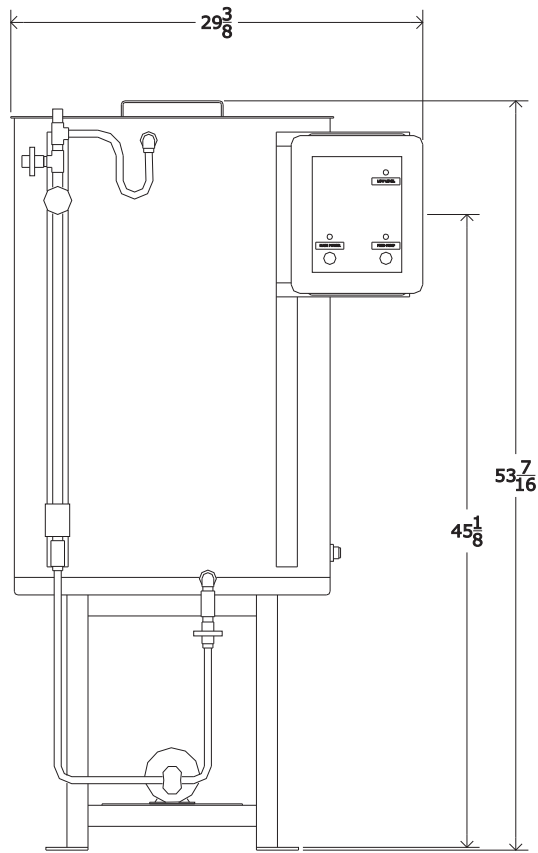
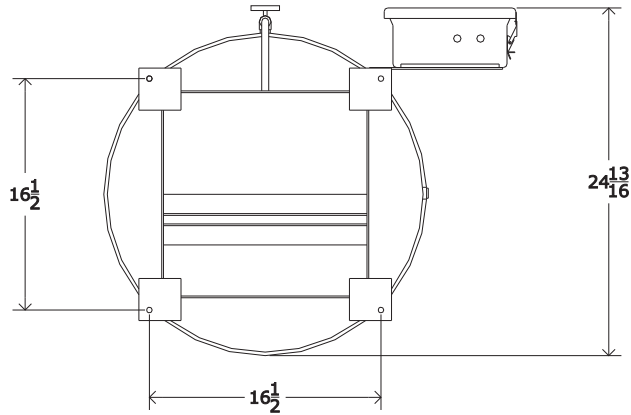
This drawing and its content are for the specific use of GTP customers only. It is not to be duplicated or copied without expressed written content of General Treatment Products, Inc. We Reserve the right to modify this drawing with out notice.

Description:

55GL Glycol Feed Package

Model:

GP55-E4-1



Specifications:

Glycol Feed Package designed to pump glycol upon system pressure drop with low level cut off.
Comes complete with steel tank, pump, stand (frame), control panel, low level, flooded suction, strainer, check valve, pressure switch, pressure indicator, pressure relief and isolation valve.

Standard Settings:

Pump Output: 1.3 **GPM**
Pressure Cut-In: 20 **PSI**
Pressure Cut-Out: 40 **PSI**
Pressure Relief: 50 **PSI**

Materials of Construction:

Epoxy, Brass, Carbon Steel, Polyethylene, PVC and Polypropylene

Voltage: 115 VAC 1 PHS 60 PHS

Max. Temp.: 180 °F

Max. Press: 150 PSI

Weight: 283 LBS

12	X	X
11	X	X
10	X	X
9	X	X
8	X	X
7	X	X
6	X	X
5	X	X
4	X	X
3	X	X
2	X	X
1	X	X

#	Part	Description
---	------	-------------



Phone: 714-257-9165
Fax: 714-257-9215
www.gtpcompany.com

Drwn By: JC
Date: 12/1/10
Scale: NTS
Rev: A

Related Items:
X

D	X	X
C	X	X
B	X	X
Rev.	Description	Date

Notes:

1)

Notice

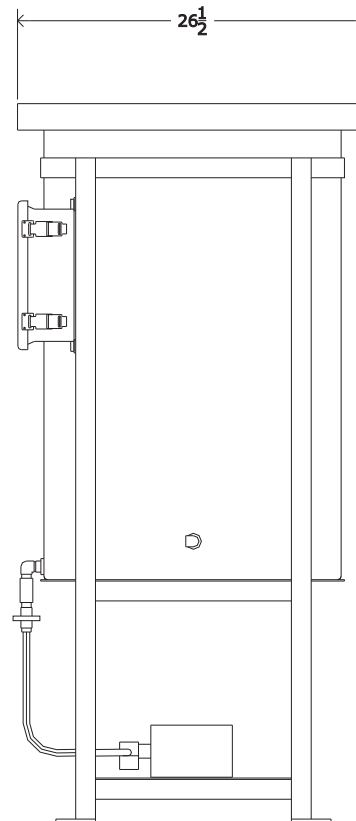
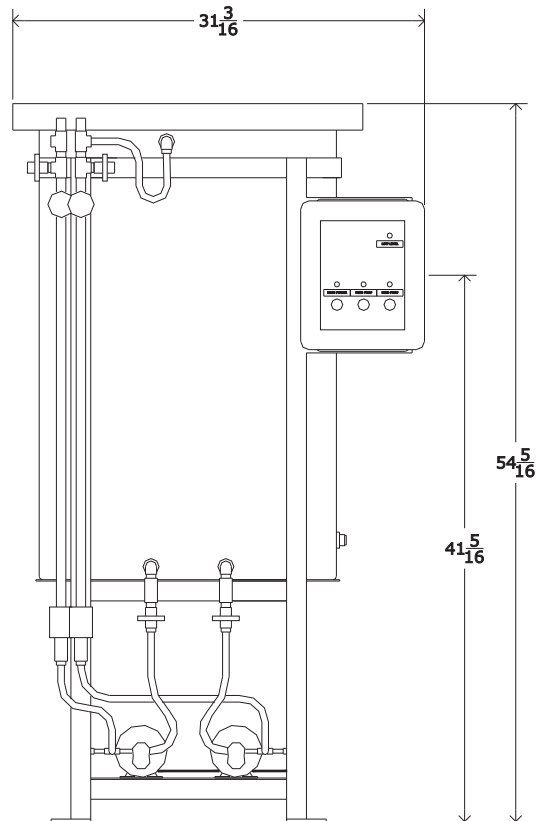
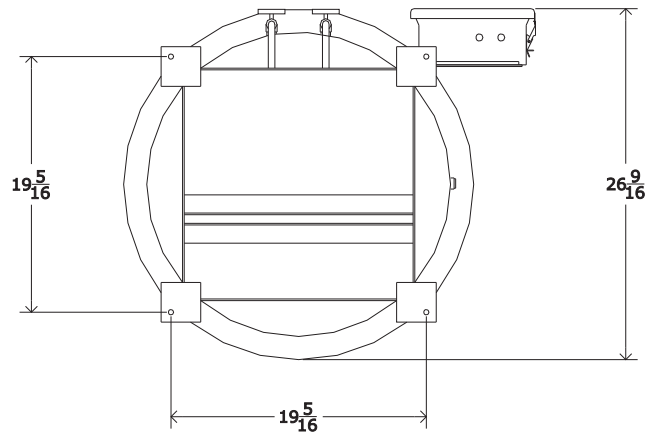
This drawing and its content are for the specific use of GTP customers only. It is not to be duplicated or copied without expressed written content of General Treatment Products, Inc. We Reserve the right to modify this drawing with out notice.

Description:

55GL High Temp Glycol Feed Package

Model:

GP55-H4-1



Specifications:

Glycol Feed Package designed to pump glycol upon system pressure drop with low level cut off.
Comes complete with tank, pump, stand (frame), control panel, low level, flooded suction, strainer, check valve, pressure switch, pressure indicator, pressure relief and isolation valve.

Standard Settings:

Pump Output: 1.3 **GPM**
Pressure Cut-In: 20 **PSI**
Pressure Cut-Out: 40 **PSI**
Pressure Relief: 50 **PSI**

Materials of Construction:

Brass, Carbon Steel, Polyethylene, PVC and Polypropylene

Voltage: 115 VAC 1 PHS 60 PHS

Max. Temp.: 85 °F

Max. Press: 150 PSI

Weight: 187 LBS

12	X	X
11	X	X
10	X	X
9	X	X
8	X	X
7	X	X
6	X	X
5	X	X
4	X	X
3	X	X
2	X	X
1	X	X

#	Part	Description
---	------	-------------



Phone: 714-257-9165
Fax: 714-257-9215
www.gtpcompany.com

Drwn By: JC
Date: 12/1/10
Scale: NTS
Rev: A

Related Items:
X

D	X	X
C	X	X
B	X	X
Rev.	Description	Date

Notes:

1)

Notice

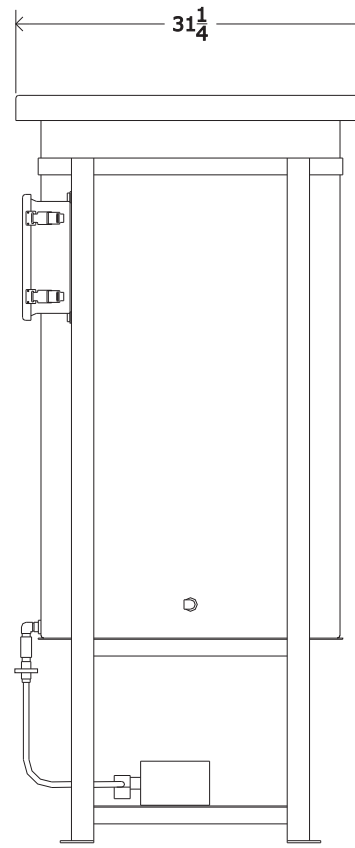
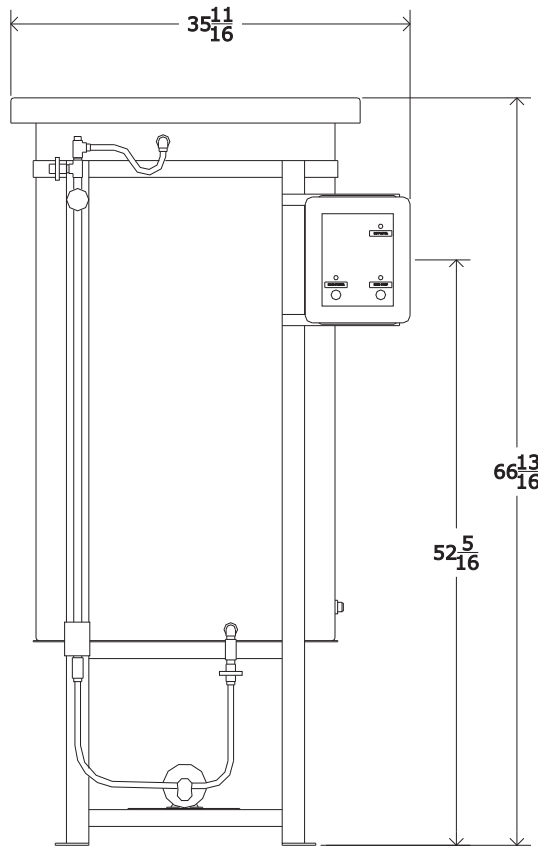
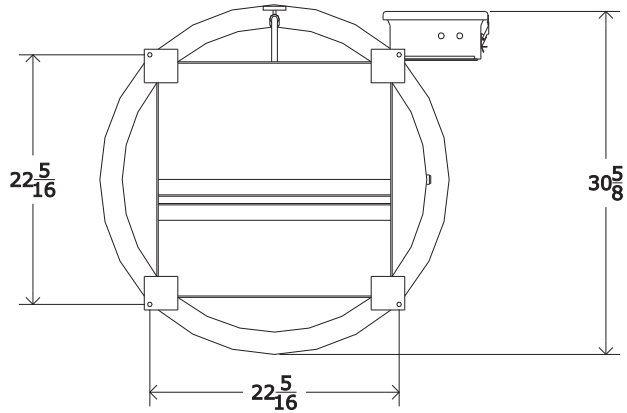
This drawing and its content are for the specific use of GTP customers only. It is not to be duplicated or copied without expressed written content of General Treatment Products, Inc. We Reserve the right to modify this drawing with out notice.

Description:

55GL Dual Glycol Feed Package

Model:

GP55-DE4-1



Specifications:

Glycol Feed Package designed to pump glycol upon system pressure drop with low level cut off.
Comes complete with tank, pump, stand (frame), control panel, low level, flooded suction, strainer, check valve, pressure switch, pressure indicator, pressure relief and isolation valve.

Standard Settings:

Pump Output: 1.3 **GPM**
Pressure Cut-In: 20 **PSI**
Pressure Cut-Out: 40 **PSI**
Pressure Relief: 50 **PSI**

Materials of Construction:

Brass, Carbon Steel, Polyethylene, PVC and Polypropylene

Voltage:	115 VAC	1 PHS	60 PHS
Max. Temp.:	85	°F	
Max. Press:	150	PSI	
Weight:	215	LBS	

12	X	X
11	X	X
10	X	X
9	X	X
8	X	X
7	X	X
6	X	X
5	X	X
4	X	X
3	X	X
2	X	X
1	X	X

#	Part	Description
---	------	-------------



Phone: 714-257-9165
Fax: 714-257-9215
www.gtpcompany.com

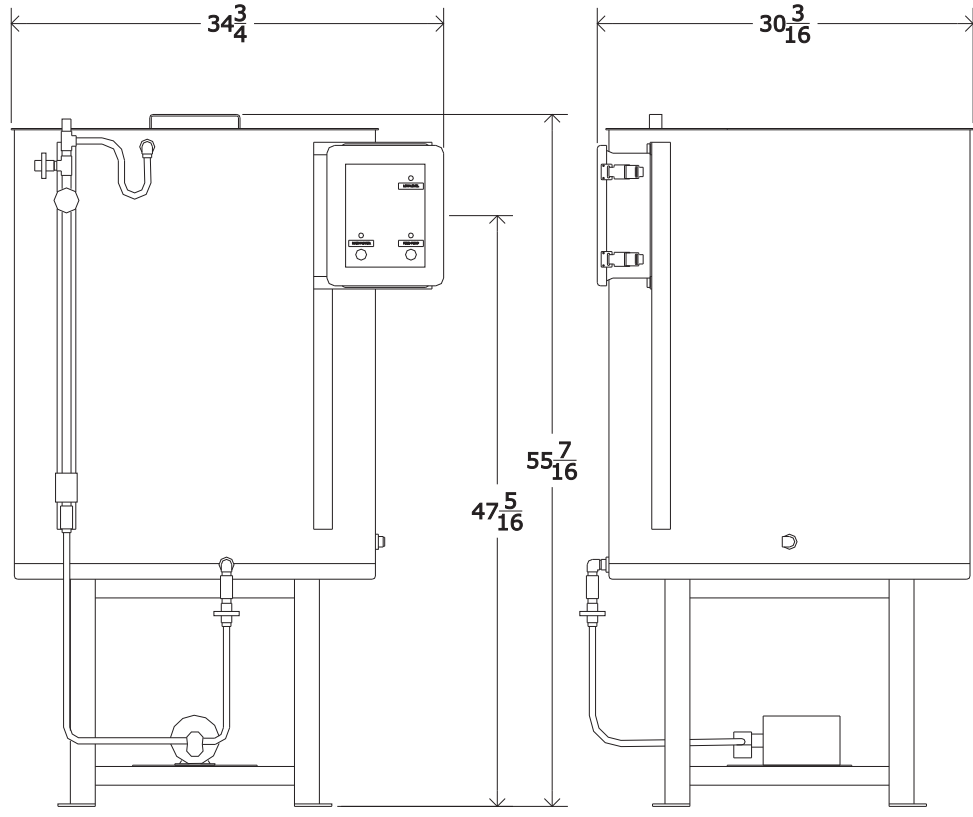
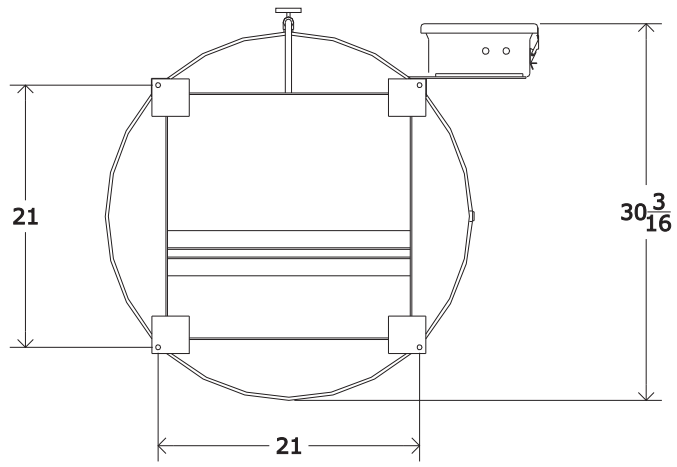
Drwn By: JC	Related Items: X
Date: 12/1/10	
Scale: NTS	
Rev: A	

D	X	X
C	X	X
B	X	X
Rev.	Description	Date

Notes:
1)

Notice
This drawing and its content are for the specific use of GTP customers only. It is not to be duplicated or copied without expressed written content of General Treatment Products, Inc. We Reserve the right to modify this drawing with out notice.

Description:
100GL Glycol Feed Package
Model:
GP100-E4-1



Specifications:
 Glycol Feed Package designed to pump glycol upon system pressure drop with low level cut off.
 Comes complete with steel tank, pump, stand (frame), control panel, low level, flooded suction, strainer, check valve, pressure switch, pressure indicator, pressure relief and isolation valve.

Standard Settings:
 Pump Output: 1.3 **GPM**
 Pressure Cut-In: 20 **PSI**
 Pressure Cut-Out: 40 **PSI**
 Pressure Relief: 50 **PSI**

Materials of Construction:
 Epoxy, Brass, Carbon Steel, Polyethylene, PVC and Polypropylene

Voltage:	115 VAC	1 PHS	60 PHS
Max. Temp.:	180	°F	
Max. Press:	150	PSI	
Weight:	400	LBS	

12	X	X
11	X	X
10	X	X
9	X	X
8	X	X
7	X	X
6	X	X
5	X	X
4	X	X
3	X	X
2	X	X
1	X	X

#	Part	Description
---	------	-------------



Phone: 714-257-9165
 Fax: 714-257-9215
www.gtpcompany.com

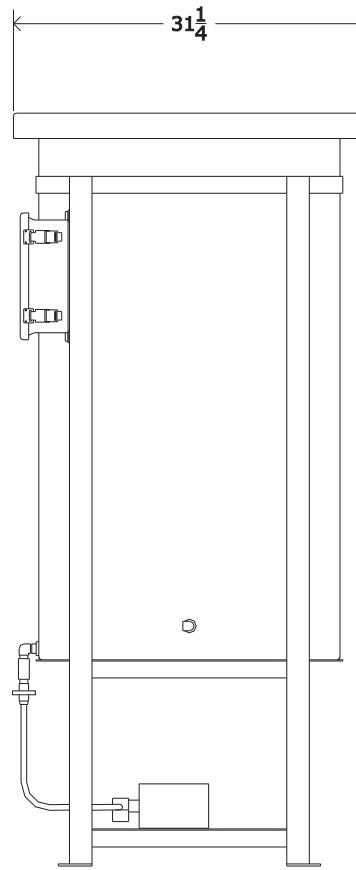
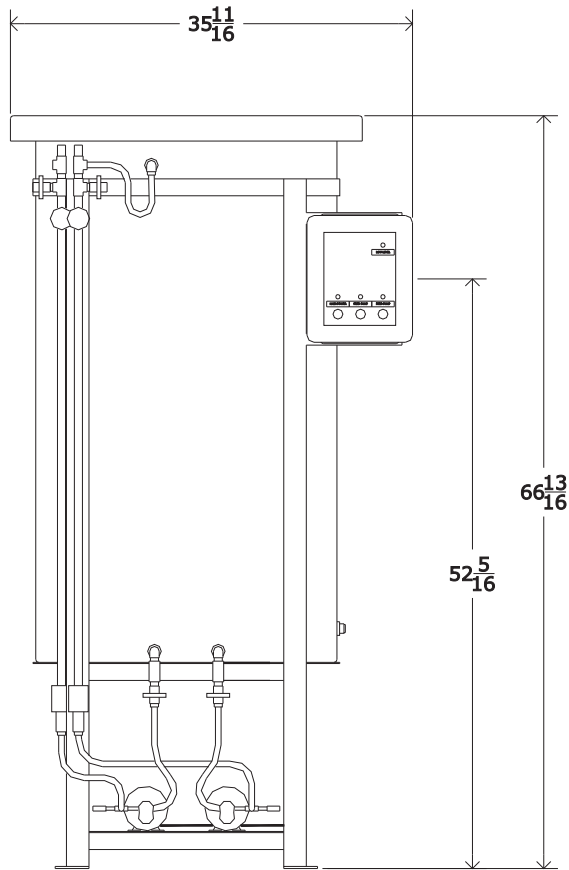
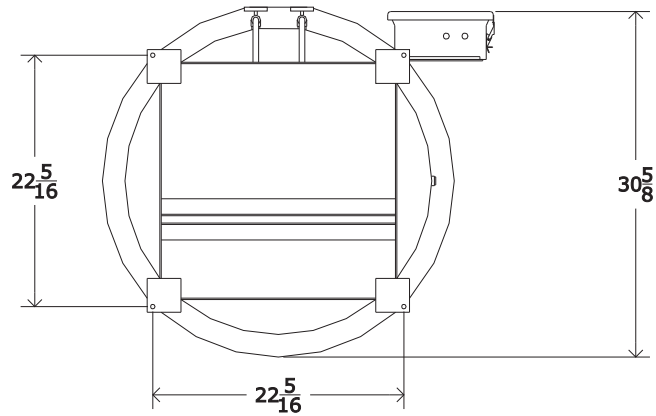
Drwn By: JC	Related Items: X
Date: 12/1/10	
Scale: NTS	
Rev: A	

D	X	X
C	X	X
B	X	X
Rev.	Description	Date

Notes:
 1)

Notice
 This drawing and its content are for the specific use of GTP customers only. It is not to be duplicated or copied without expressed written content of General Treatment Products, Inc. We Reserve the right to modify this drawing with out notice.

Description:
 100GL High Temp Glycol Feed Package
Model:
 GP100-H4-1



Specifications:

Glycol Feed Package designed to pump glycol upon system pressure drop with low level cut off.
Comes complete with tank, pump, stand (frame), control panel, low level, flooded suction, strainer, check valve, pressure switch, pressure indicator, pressure relief and isolation valve.

Standard Settings:

Pump Output: 1.3 **GPM**
Pressure Cut-In: 20 **PSI**
Pressure Cut-Out: 40 **PSI**
Pressure Relief: 50 **PSI**

Materials of Construction:

Brass, Carbon Steel, Polyethylene, PVC and Polypropylene

Voltage:	115 VAC	1 PHS	60 PHS
Max. Temp.:	85	°F	
Max. Press:	150	PSI	
Weight:	254	LBS	

12	X	X
11	X	X
10	X	X
9	X	X
8	X	X
7	X	X
6	X	X
5	X	X
4	X	X
3	X	X
2	X	X
1	X	X

#	Part	Description
---	------	-------------



Phone: 714-257-9165
Fax: 714-257-9215
www.gtpcompany.com

Drwn By: JC
Date: 12/1/10
Scale: NTS
Rev: A

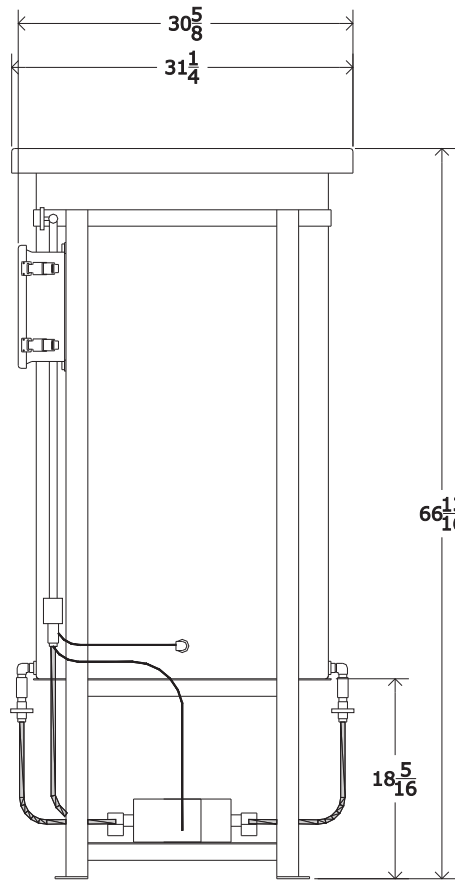
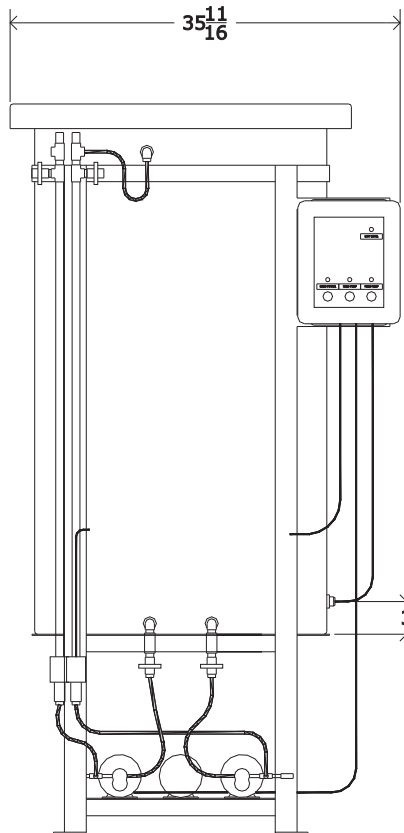
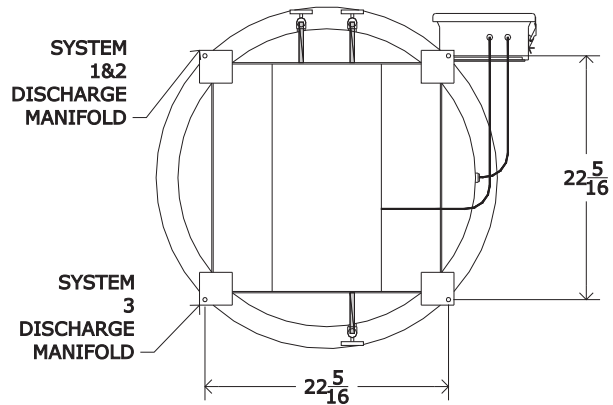
Related Items:	X
-----------------------	---

D	X	X
C	X	X
B	X	X
Rev.	Description	Date

Notes:
1)

Notice
This drawing and its content are for the specific use of GTP customers only. It is not to be duplicated or copied without expressed written content of General Treatment Products, Inc. We Reserve the right to modify this drawing with out notice.

Description:
100GL Dual Glycol Feed Package
Model:
GP100-DE4-1



Specifications:

Glycol Feed Package designed to pump glycol upon system pressure drop with low level cut off.
 Comes complete with steel tank, pump, stand (frame), control panel, low level, flooded suction, strainer, check valve, pressure switch, pressure indicator, pressure relief and isolation valve.

Standard Settings:

Pump Output: 1.3 **GPM**
 Pressure Cut-In: 20 **PSI**
 Pressure Cut-Out: 40 **PSI**
 Pressure Relief: 50 **PSI**

Materials of Construction:

Epoxy, Brass, Carbon Steel, Polyethylene, PVC and Polypropylene

Voltage: 115 VAC 1 PHS 60 PHS

Max. Temp.: 85 °F

Max. Press: 150 PSI

Weight: 295 LBS

12	X	X
11	X	X
10	X	X
9	X	X
8	X	X
7	X	X
6	X	X
5	X	X
4	X	X
3	X	X
2	X	X
1	X	X

#	Part	Description
---	------	-------------



Phone: 714-257-9165
 Fax: 714-257-9215
www.gtpcompany.com

Drwn By: JC
Date: 12/1/10
Scale: NTS
Rev: A

Related Items:
 X

D	X	X
C	X	X
B	X	X
Rev.	Description	Date

Notes:

1)

Notice

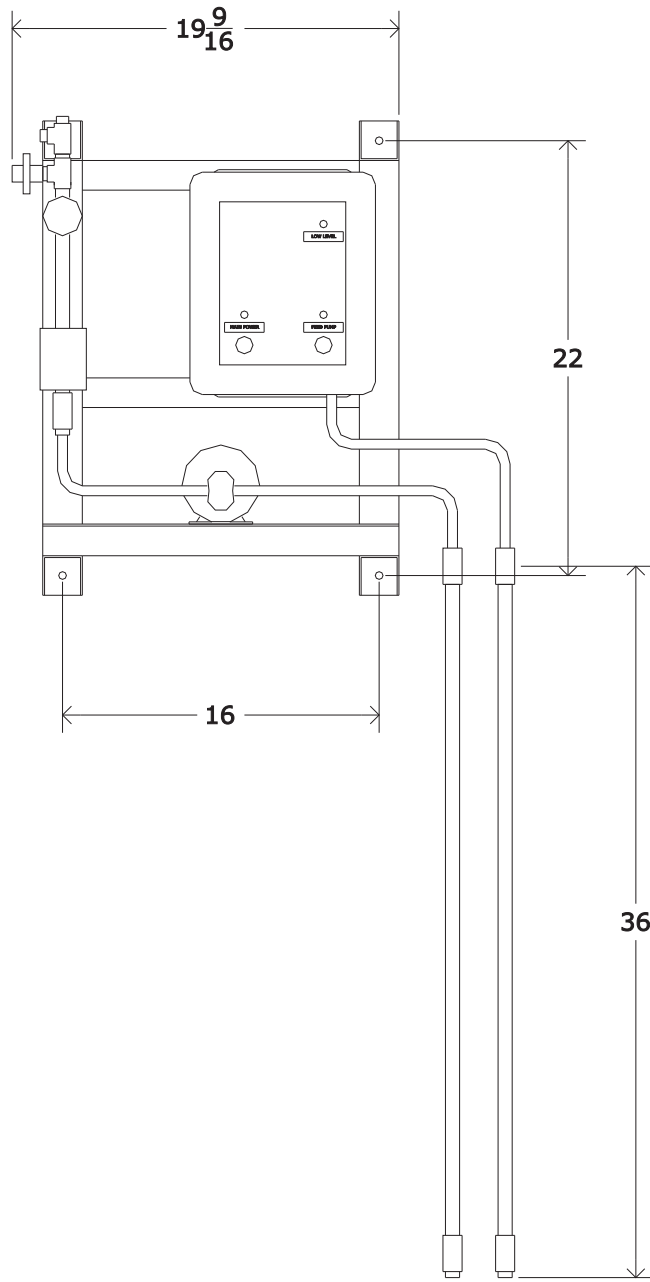
This drawing and its content are for the specific use of GTP customers only. It is not to be duplicated or copied without expressed written content of General Treatment Products, Inc. We Reserve the right to modify this drawing with out notice.

Description:

100GL Triplex Glycol Feed Package

Model:

GP100-TE4-1



Specifications:

Wall mount "GX" Glycol Feed Package is designed as a freight friendly feed package. Utilizing the delivery drum supplied with the glycol, the "GX" will feed glycol from the drum, and can aid in the initial glycol fill. Comes complete with pump, stand (frame), control panel, low level wand, suction wand, strainer, check valve, pressure switch, pressure indicator, pressure relief and isolation valve.

Standard Settings:

Pump Output: 1.3 **GPM**
 Pressure Cut-In: 20 **PSI**
 Pressure Cut-Out: 40 **PSI**
 Pressure Relief: 50 **PSI**

Materials of Construction:

Brass, Carbon Steel, PVC and Polypropylene

Voltage:	115 VAC	1 PHS	60 PHS
Max. Temp.:	85	° F	
Max. Press:	150	PSI	
Weight:	68	LBS	

12	X	X
11	X	X
10	X	X
9	X	X
8	X	X
7	X	X
6	X	X
5	X	X
4	X	X
3	X	X
2	X	X
1	X	X

#	Part	Description
---	------	-------------



Phone: 714-257-9165
 Fax: 714-257-9215
www.gtpcompany.com

Drwn By:	JC
Date:	12/1/10
Scale:	NTS
Rev:	A

Related Items:	X
-----------------------	---

Rev.	Description	Date
D	X	X
C	X	X
B	X	X

Notes:
 1)

Notice
 This drawing and its content are for the specific use of GTP customers only. It is not to be duplicated or copied without expressed written content of General Treatment Products, Inc. We Reserve the right to modify this drawing with out notice.

Description:
 Wall Mount Glycol Feed Package
Model:
 GX-E4-1