

**Specifications:**

Glycol Feed Package designed to pump glycol upon system pressure drop with low level cut off.

Comes complete with tank, pump, low level, suction strainer, check valve, pressure switch, and pressure indicator.

**Standard Settings:**

Pump Output: 0.25 **GPM**  
 Pressure Cut-In: 8 **PSI**  
 Pressure Cut-Out: 15 **PSI**

**Materials of Construction:**

Brass, Stainless Steel, Polyethylene, PVC and Polypropylene

<b>Voltage:</b>	115 VAC	1 PHS	60 PHS
<b>Max. Temp.:</b>	85	°F	
<b>Max. Press:</b>	25	PSI	
<b>Weight:</b>	21	LBS	

<b>12</b>	X	X
<b>11</b>	X	X
<b>10</b>	X	X
<b>9</b>	X	X
<b>8</b>	X	X
<b>7</b>	X	X
<b>6</b>	X	X
<b>5</b>	X	X
<b>4</b>	X	X
<b>3</b>	X	X
<b>2</b>	X	X
<b>1</b>	X	X

#	Part	Description
---	------	-------------



Phone: 714-257-9165  
 Fax: 714-257-9215  
[www.gtpcompany.com](http://www.gtpcompany.com)

<b>Drwn By:</b> JC
<b>Date:</b> 12/1/10
<b>Scale:</b> NTS
<b>Rev:</b> A

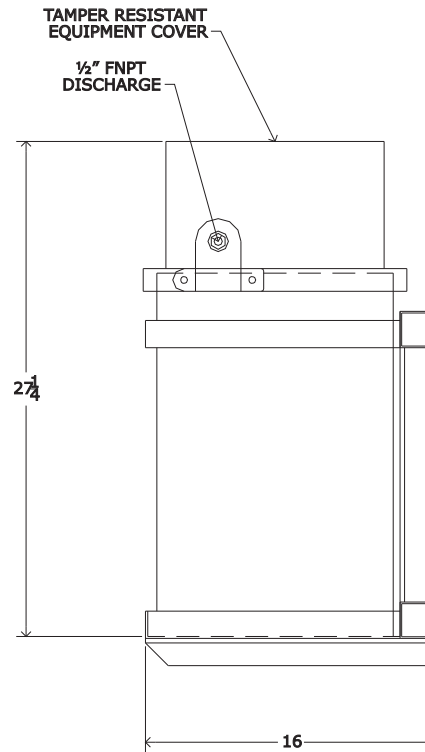
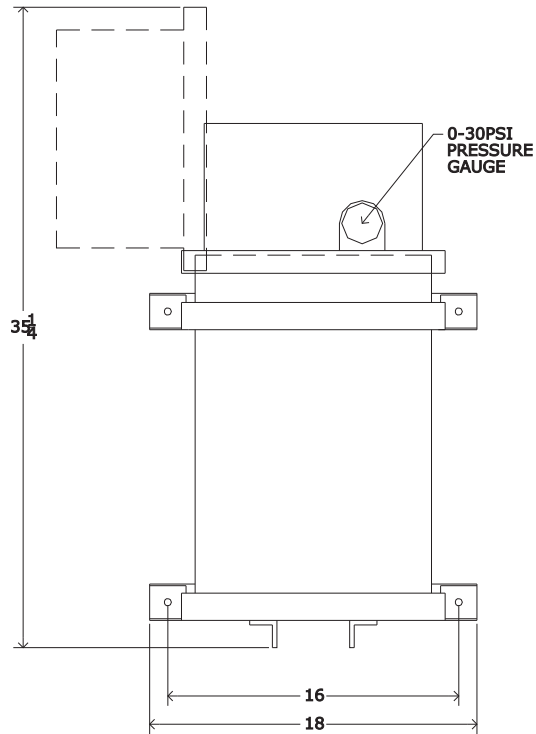
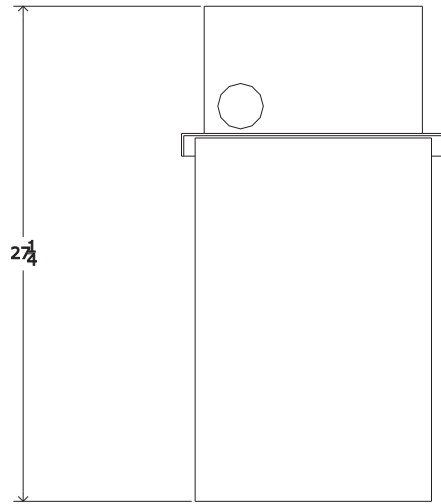
<b>Related Items:</b>
X

<b>D</b>	X	X
<b>C</b>	X	X
<b>B</b>	X	X
<b>Rev.</b>	<b>Description</b>	<b>Date</b>

**Notes:**  
 1) Shown with optional wall mounting bracket.

**Notice**  
 This drawing and its content are for the specific use of GTP customers only. It is not to be duplicated or copied without expressed written content of General Treatment Products, Inc. We Reserve the right to modify this drawing with out notice.

**Description:**  
 7GL Residential Glycol Feed Package  
**Model:**  
 GRE07-E6-4/MNT



**Specifications:**

Glycol Feed Package designed to pump glycol upon system pressure drop with low level cut off.

Comes complete with tank, pump, low level, suction strainer, check valve, pressure switch, and pressure indicator.

**Standard Settings:**

Pump Output: 0.25 **GPM**  
 Pressure Cut-In: 8 **PSI**  
 Pressure Cut-Out: 15 **PSI**

**Materials of Construction:**

Brass, Stainless Steel, Polyethylene, PVC and Polypropylene

<b>Voltage:</b>	115 <b>VAC</b>	1 <b>PHS</b>	60 <b>PHS</b>
<b>Max. Temp.:</b>	85	° <b>F</b>	
<b>Max. Press:</b>	25	<b>PSI</b>	
<b>Weight:</b>	30	<b>LBS</b>	

12	X	X
11	X	X
10	X	X
9	X	X
8	X	X
7	X	X
6	X	X
5	X	X
4	X	X
3	X	X
2	X	X
1	X	X

#	Part	Description
---	------	-------------



Phone: 714-257-9165  
 Fax: 714-257-9215  
[www.gtpcompany.com](http://www.gtpcompany.com)

<b>Drwn By:</b> JC	<b>Related Items:</b> X
<b>Date:</b> 12/1/10	
<b>Scale:</b> NTS	
<b>Rev:</b> A	

<b>D</b>	X	X
<b>C</b>	X	X
<b>B</b>	X	X
<b>Rev.</b>	<b>Description</b>	<b>Date</b>

**Notes:**  
 1) Shown with optional wall mounting bracket.

**Notice**  
 This drawing and its content are for the specific use of GTP customers only. It is not to be duplicated or copied without expressed written content of General Treatment Products, Inc. We Reserve the right to modify this drawing with out notice.

**Description:**  
 15GL Residential Glycol Feed Package  
**Model:**  
 GRE15-E6-4/MNT